



# DB-130/200H

## SANITARY CUBE DISPENSER



DB-130/200H  
08/03/23  
Item # 13131

Item #: \_\_\_\_\_  
 Project: \_\_\_\_\_  
 Qty: \_\_\_\_\_  
 AIA#: \_\_\_\_\_

### W x D x H

**DB-130H**  
22" x 30" x 53"\*

**DB-200H**  
30" x 30" x 53"\*

\*with 6" legs

Shipping Dimensions  
(DB-130H) 30<sup>1/2</sup>" x 24" x 52"  
(DB-200H) 33" x 32<sup>1/4</sup>" x 52"

ADA Compliant



**DB-130H**  
Hotel/Motel Ice Dispenser  
Shown with a KM-660MAJ  
(ice machine sold separately)

**DB-200H**  
Hotel/Motel Ice Dispenser  
Shown with a KML-700MAJ  
(ice machine sold separately)

## Features

- ▶ Ice dispensing area is ADA compliant
- ▶ Push-button single auger agitator

### DB-130H

- Accommodates KM-350, KM-520, KM-660, or KMD-410 series cubers for 414 to 669 lbs. of ice per day (ice machines sold separately)
- Built-in 130 lbs. capacity\* insulated polyethylene-lined ice storage bin
- Push-button single auger agitator dispenses ice at 20 lbs. per minute

### DB-200H

- Accommodates KML Series, KM-350, KM-520, KM-660, series cubers for 380 to 756 lbs. of ice per day (ice machines sold separately)
- Built-in 200 lbs. capacity\* insulated polyethylene-lined ice storage bin
- Push-button single auger agitator dispenses ice at 13 lbs. per minute

Top kit may be required. See bin matrix in catalog.

### Warranty:

3 Year Parts & Labor on entire machine. Valid in United States, Canada, Puerto Rico and U.S. Territories. Contact factory for warranty in other countries.

\* Capacity based on volume x 30 lb/ft<sup>3</sup> average density of ice.



Model	Application Ice Storage Capacity	Measured Capacity Volume	Dispensing gear motor	Dispensing Rate	Voltage	Amperage	Net / Ship Weight (lbs.)
DB-130H	130 lbs.	3.7 ft <sup>3</sup>	60W	20 lbs./min.	115V/60/1	1.4	178 / 195
DB-200H	200 lbs.	5.72 ft <sup>3</sup>	60W	13 lbs./min.	115V/60/1	1.4	187 / 220

Power cord not included. Must be hard-wired at site.

### Operating Limits

- Ambient Temp Range 45 - 100°F
- Voltage Range 104 - 132V
- If GFCI is required, a GFCI breaker MUST be used in lieu of GFCI receptacle

### Service

- Allow 6" (15 cm) clearance at rear and sides for ease of maintenance and/or service. More space is needed on left side for DB-130H (right side for DB-200H) of the dispensing bin to service the drive system.

### Plumbing

- Drain Line: Minimum 3/4" Nominal ID Hard Pipe or Equivalent

### Vending

- Pushbutton - Standard

Hoshizaki reserves the right to change specifications without notice.



# DB-130/200H

## SANITARY CUBE DISPENSER



DB-130/200H  
08/03/23  
Item # 13131

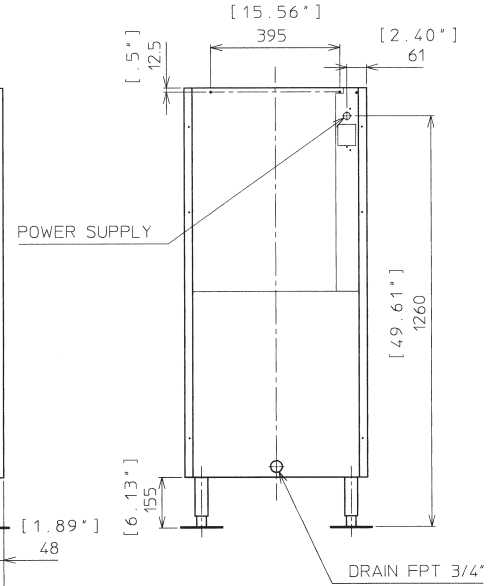
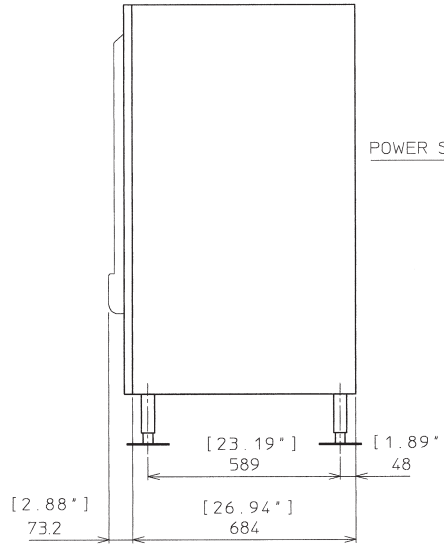
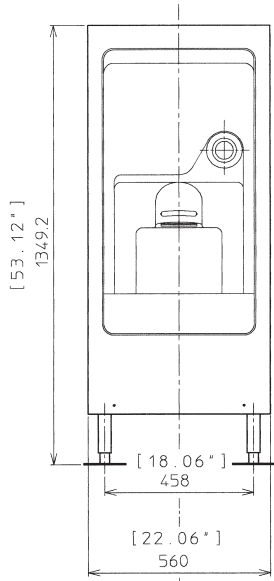
### FRONT VIEW

### SIDE VIEW

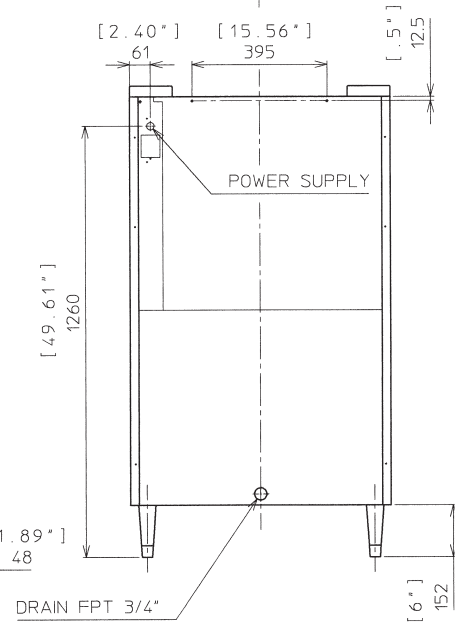
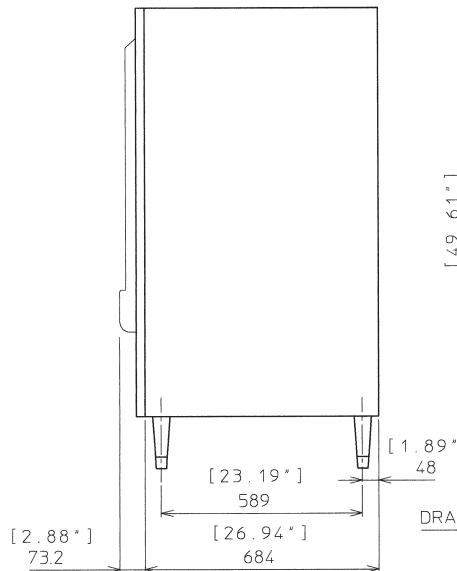
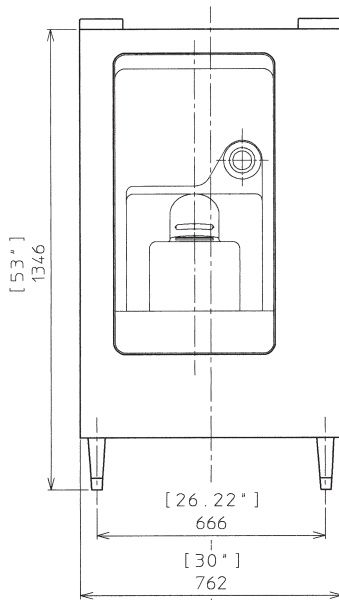
### REAR VIEW

inch  
[mm]

DB-130H



DB-200H



### DB-130H & DB-200H Ice Dispenser Opening

