



Quick reference

Maneurop[®] reciprocating compressors

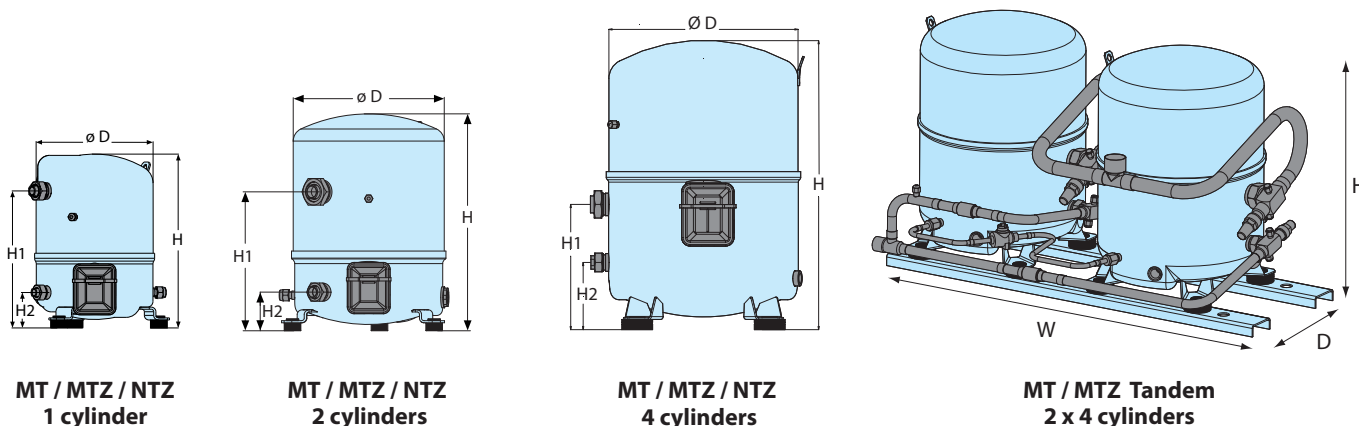
MT - MTZ - NTZ

60 Hz - R404A - R507A - R407C - R134a - R22 - R417A



Quick reference

Dimensions



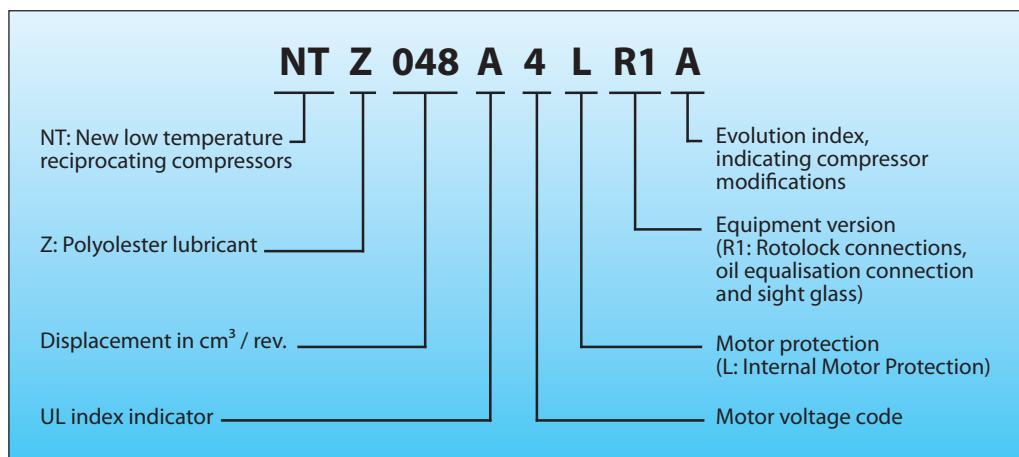
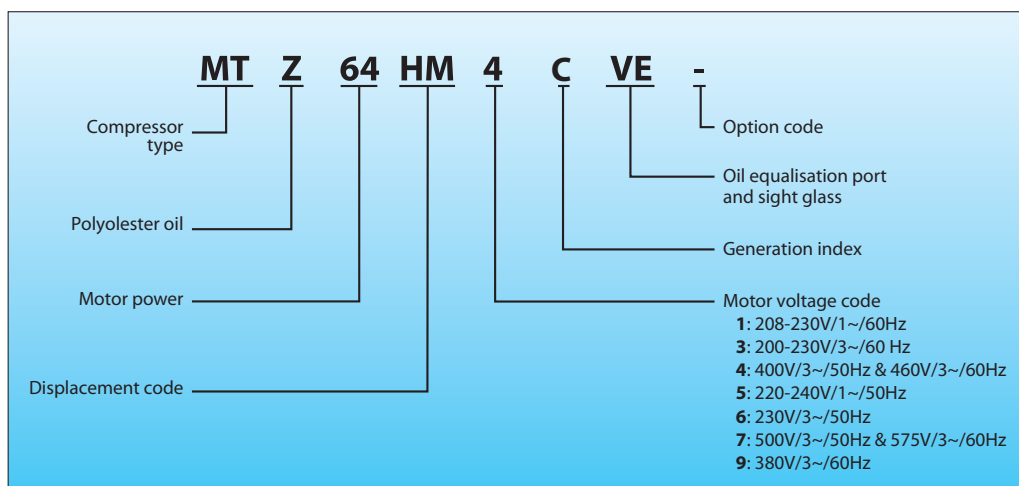
Single compressors (all dimensions in mm)

	D	H	H1	H2
1 cylinder	224	333 / 358	263	68
2 cylinders	288	413	265	74
4 cylinders	352	519 / 540	233	128

Tandem model (all dimensions in mm)

	H	D	W
2 x 4 cylinders	544/565	515	925

Nomenclature



Quick reference
Code numbers for ordering single pack compressors

Model	1	3	4	7	9	Swept volume cm ³ /rev	Displacement m ³ /h at 2900 rpm	Cylinder number	Oil charge dm ³	Net weight kg	
	208-230/1/60	200-230/3/60	460/3/60 400/3/50	575/3/60 500/3/50	380/3/60						
Low back pressure applications	NTZ048	120F0072	120F0029	120F0001	120F0087	48	8.4	1	0.95	21	
	NTZ068	120F0073	120F0031	120F0002	120F0088	68	11.8	1	0.95	23	
	NTZ096	120F0074	120F0033	120F0003		96	16.7	2	1.8	35	
	NTZ108	120F0075	120F0035	120F0004		108	18.7	2	1.8	35	
	NTZ136	120F0076	120F0037	120F0005		136	23.6	2	1.8	35	
	NTZ215		120F0039	120F0006		215	37.5	4	3.9	62	
	NTZ271		120F0041	120F0007		271	47.3	4	3.9	64	
	NTZ430			120F0024		2 x 215	2 x 37.5	2 x 4	2 x 3.9	138	
	NTZ542			120F0025		2 x 271	2 x 47.3	2 x 4	2 x 2.9	142	
Medium - High back pressure applications	MT018	MT18-1VI	MT18-3VI	MT18-4VI	MT18-5VI	30	5.3	1	0.95	21	
	MT022	MT22-1VI	MT22-3VI	MT22-4VI	MT22-5VI	38	6.6	1	0.95	21	
	MT028	MT28-1VI	MT28-3VI	MT28-4VI	MT28-5VI	48	8.4	1	0.95	23	
	MT032	MT32-1VI	MT32-3VI	MT32-4VI	MT32-5VI	54	9.4	1	0.95	24	
	MT036	MT36-1VI	MT36-3VI	MT36-4VI	MT36-5VI	60	10.5	1	0.95	25	
	MT040	MT40-1VI	MT40-3VI	MT40-4VI		68	11.8	1	0.95	26	
	MT044		MT44-3VI	MT44-4VI		MT44-7VI	76	13.3	2	1.8	37
	MT050		MT50-3VI	MT50-4VI		MT50-7VI	86	14.9	2	1.8	37
	MT056		MT56-3VI	MT56-4VI		MT56-7VI	96	16.7	2	1.8	39
	MT064		MT64-3VI	MT64-4VI			108	18.7	2	1.8	39
	MT072		MT72-3VI	MT72-4VI			121	21.0	2	1.8	40
	MT080		MT80-3VI	MT80-4VI			136	23.6	2	1.8	40
	MT100		MT100-3VI	MT100-4VI		MT100-7VI	171	29.8	4	3.9	60
	MT125		MT125-3VI	MT125-4VI		MT125-7VI	215	37.5	4	3.9	64
	MT144		MT144-3VI	MT144-4VI		MT144-7VI	242	42.1	4	3.9	67
	MT160		MT160-3VI	MT160-4VI		MT160-7VI	272	47.3	4	3.9	67
	MTM200			MTM200T4SA			2 x 171	2 x 29.8	2 x 4	2 x 3.9	134
	MTM250			MTM250T4SA			2 x 215	2 x 37.5	2 x 4	2 x 3.9	142
	MTM288			MTM288T4SA			2 x 242	2 x 42.1	2 x 4	2 x 3.9	148
	MTM320			MTM320T4SA			2 x 272	2 x 47.3	2 x 4	2 x 3.9	148
	MTZ018			MTZ18-4VI	MTZ18-5VI		30	5.3	1	0.95	21
	MTZ022			MTZ22-4VI	MTZ22-5VI		38	6.6	1	0.95	21
	MTZ028			MTZ28-4VI	MTZ28-5VI		48	8.4	1	0.95	23
	MTZ032			MTZ32-4VI	MTZ32-5VI	MTZ32-7VI	54	9.4	1	0.95	24
	MTZ036			MTZ36-4VI	MTZ36-5VI	MTZ36-7VI	60	10.5	1	0.95	25
	MTZ040			MTZ40-4VI			68	11.8	1	0.95	26
	MTZ044			MTZ44-4VI		MTZ44-7VI	76	13.3	2	1.8	37
	MTZ050			MTZ50-4VI		MTZ50-7VI	86	14.9	2	1.8	37
	MTZ056			MTZ56-4VI		MTZ56-7VI	96	16.7	2	1.8	39
	MTZ064			MTZ64-4VI			108	18.7	2	1.8	39
	MTZ072			MTZ72-4VI			121	21.0	2	1.8	40
	MTZ080			MTZ80-4VI			136	23.6	2	1.8	40
MTZ100			MTZ100-4VI		MTZ100-7VI	171	29.8	4	3.9	60	
MTZ125			MTZ125-4VI		MTZ125-7VI	215	37.5	4	3.9	64	
MTZ144			MTZ144-4VI		MTZ144-7VI	242	42.1	4	3.9	67	
MTZ160			MTZ160-4VI		MTZ160-7VI	272	47.3	4	3.9	67	
MTZ200			MTZ200T4SA			2 x 171	2 x 29.8	2 x 4	2 x 3.9	134	
MTZ250			MTZ250T4SA			2 x 215	2 x 37.5	2 x 4	2 x 3.9	142	
MTZ288			MTZ288T4SA			2 x 242	2 x 42.1	2 x 4	2 x 3.9	148	
MTZ320			MTZ320T4SA			2 x 272	2 x 47.3	2 x 4	2 x 3.9	148	

Quick reference

Performance data

NTZ - R404A / R507A

Model	To Tc	-45		-40		-35		-30		-25		-20		-15		-10	
		Qo	Pe	Qo	Pe	Qo	Pe	Qo	Pe	Qo	Pe	Qo	Pe	Qo	Pe	Qo	Pe
NTZ048	45	220	0.40	500	0.71	850	1.02	1 480	1.33	2 040	1.62	2 690	1.89	3 440	2.13	4 310	2.33
NTZ068	45	610	1.20	1 020	1.51	1 530	1.82	2 490	2.14	3 290	2.47	4 220	2.81	5 290	3.16	6 530	3.53
NTZ096	45	-	-	890	1.40	1 630	1.96	2 960	2.54	4 160	3.12	5 560	3.70	7 190	4.24	9 050	4.75
NTZ108	45	-	-	1 240	2.04	2 040	2.51	3 530	3.04	4 860	3.62	6 440	4.24	8 300	4.88	10 460	5.53
NTZ136	45	-	-	1 690	2.65	2 720	3.31	4 620	4.03	6 260	4.80	8 170	5.60	10 380	6.44	12 920	7.31
NTZ215	45	1 400	2.72	2 640	3.74	4 170	4.81	7 040	5.91	9 480	7.01	12 320	8.09	15 600	9.11	19 380	10.05
NTZ271	45	2 500	4.22	4 090	5.44	6 070	6.68	9 890	7.94	13 040	9.21	16 740	10.50	21 050	11.80	26 010	13.10
NTZ430	45	2 800	5.44	5 280	7.47	8 350	9.62	14 080	11.82	18 950	14.03	24 640	16.18	31 210	18.22	38 750	20.10
NTZ542	45	5 000	8.43	8 180	10.87	12 140	13.36	19 780	15.88	26 090	18.43	33 490	21.00	42 090	23.59	52 010	26.20

Legend: To: Evaporating temperature in °C Qo: Cooling capacity in W Superheat = 10K; Subcooling = 0 K Voltage: 460V / 3 / 60 Hz
Tc: Condensing temperature in °C Pe: Power input in kW Suction temp. = 20°C; Subcooling = 0 K

MT - R22

Model	To Tc	-25		-20		-15		-10		-5		0		5		10		15	
		Qo	Pe	Qo	Pe	Qo	Pe	Qo	Pe	Qo	Pe	Qo	Pe	Qo	Pe	Qo	Pe	Qo	Pe
MT018	45	690	0.77	1 070	0.92	1 560	1.06	2 170	1.20	2 940	1.32	3 860	1.43	4 980	1.52	6 310	1.57	7 860	1.60
MT022	45	890	0.92	1 540	1.14	2 310	1.35	3 210	1.54	4 250	1.72	5 470	1.88	6 860	2.00	8 450	2.08	10 250	2.11
MT028	45	1 750	1.46	2 630	1.71	3 640	1.95	4 800	2.18	6 110	2.37	7 590	2.53	9 270	2.64	11 140	2.70	13 220	2.69
MT032	45	1 870	1.75	2 770	2.02	3 830	2.28	5 080	2.54	6 520	2.77	8 190	2.97	10 110	3.13	12 290	3.23	14 760	3.28
MT036	45	2 360	2.01	3 470	2.28	4 740	2.55	6 180	2.82	7 800	3.07	9 620	3.31	11 660	3.51	13 920	3.68	16 420	3.80
MT040	45	2 460	2.13	3 700	2.50	5 110	2.86	6 710	3.21	8 510	3.52	10 540	3.78	12 800	3.98	15 310	4.11	18 090	4.14
MT044	45	2 170	1.98	3 390	2.39	4 840	2.74	6 560	3.04	8 560	3.31	10 900	3.53	13 590	3.73	16 670	3.90	20 170	4.05
MT050	45	2 950	2.43	4 260	2.86	5 840	3.24	7 700	3.56	9 900	3.85	12 460	4.10	15 430	4.31	18 850	4.50	22 740	4.66
MT056	45	3 280	2.68	4 820	3.14	6 640	3.56	8 770	3.93	11 250	4.27	14 110	4.57	17 400	4.85	21 150	5.09	25 400	5.32
MT064	45	4 260	3.24	5 790	3.65	7 680	4.05	9 980	4.43	12 720	4.80	15 960	5.15	19 730	5.48	24 080	5.80	29 050	6.10
MT072	45	4 720	3.39	6 560	3.97	8 800	4.51	11 500	5.03	14 700	5.52	18 460	5.97	22 830	6.39	27 850	6.76	33 580	7.10
MT080	45	5 420	3.97	7 600	4.59	10 180	5.19	13 240	5.76	16 820	6.30	21 000	6.83	25 820	7.35	31 350	7.86	37 640	8.36
MT100	45	5 490	4.87	7 980	5.59	10 980	6.30	14 570	6.95	18 830	7.52	23 840	7.99	29 680	8.33	36 430	8.51	44 180	8.50
MT125	45	8 030	6.57	11 230	7.41	15 060	8.24	19 620	9.06	25 020	9.82	31 340	10.51	38 690	11.09	47 180	11.55	56 890	11.86
MT144	45	9 240	7.39	12 790	8.32	17 080	9.25	22 220	10.16	28 320	11.01	35 510	11.78	43 910	12.44	53 630	12.95	64 790	13.31
MT160	45	10 400	8.31	14 300	9.35	19 020	10.38	24 680	11.39	31 410	12.34	39 350	13.20	48 620	13.94	59 360	14.52	71 700	14.93
MTM200	45	10 970	9.75	15 960	11.19	21 960	12.59	29 140	13.89	37 660	15.05	47 680	15.99	59 360	16.67	72 870	17.02	88 360	17.00
MTM250	45	16 060	13.14	22 460	14.81	30 120	16.49	39 240	18.11	50 030	19.64	62 680	21.01	77 390	22.18	94 350	23.10	113 770	23.72
MTM288	45	18 470	14.79	25 580	16.65	34 160	18.51	44 430	20.32	56 640	22.02	71 020	23.55	87 820	24.87	107 260	25.91	129 590	26.61
MTM320	45	20 790	16.63	28 610	18.69	38 040	20.77	49 350	22.78	62 820	24.68	78 690	26.40	97 240	27.87	118 720	29.04	143 400	29.85

MTZ R407C

Model	To Tc	-15		-10		-5		0		5		10		15	
		Qo	Pe	Qo	Pe	Qo	Pe	Qo	Pe	Qo	Pe	Qo	Pe	Qo	Pe
MTZ018	45	1 700	1.03	2 420	1.20	3 270	1.33	4 250	1.42	5 380	1.49	6 680	1.54	8 170	1.57
MTZ022	45	2 320	1.32	3 170	1.52	4 170	1.68	5 340	1.82	6 710	1.93	8 290	2.02	10 120	2.10
MTZ028	45	3 160	1.77	4 190	1.96	5 430	2.14	6 910	2.30	8 680	2.45	10 760	2.58	13 190	2.71
MTZ032	45	3 590	1.94	4 700	2.17	6 030	2.37	7 620	2.57	9 510	2.74	11 730	2.89	14 320	3.03
MTZ036	45	3 910	2.21	5 130	2.54	6 630	2.86	8 450	3.15	10 620	3.41	13 180	3.63	16 160	3.80
MTZ040	45	4 310	2.46	5 890	2.81	7 740	3.18	9 890	3.54	12 400	3.90	15 290	4.23	18 610	4.52
MTZ044	45	4 540	2.47	6 290	2.87	8 360	3.20	10 770	3.46	13 580	3.67	16 830	3.83	20 560	3.96
MTZ050	45	5 310	2.92	7 120	3.32	9 300	3.66	11 910	3.95	15 010	4.19	18 660	4.38	22 940	4.53
MTZ056	45	6 050	3.24	8 120	3.69	10 610	4.07	13 580	4.40	17 100	4.69	21 230	4.96	26 040	5.22
MTZ064	45	6 620	3.64	9 050	4.14	11 880	4.56	15 170	4.93	18 970	5.27	23 340	5.58	28 350	5.89
MTZ072	45	7 840	4.25	10 560	4.88	13 750	5.43	17 480	5.91	21 800	6.33	26 800	6.70	32 530	7.03
MTZ080	45	8 480	4.80	11 490	5.47	15 000	6.08	19 130	6.64	23 990	7.15	29 710	7.64	36 400	8.10
MTZ100	45	10 390	5.95	14 170	6.79	18 630	7.47	23 870	8.02	30 010	8.48	37 140	8.88	45 370	9.25
MTZ125	45	14 650	7.79	19 270	8.75	24 670	9.63	30 960	10.43	38 260	11.15	46 680	11.82	56 340	12.45
MTZ144	45	16 610	8.78	21 990	9.90	28 140	10.88	35 190	11.73	43 240	12.47	52 430	13.11	62 860	13.68
MTZ160	45	18 680	9.98	24 390	11.22	31 060	12.42	38 850	13.54	47 890	14.57	58 320	15.46	70 290	16.19
MTZ200	45	20 770	11.91	28 330	13.57	37 250	14.93	47 750	16.04	60 020	16.96	74 290	17.76	90 740	18.49
MTZ250	45	29 310	15.57	38 550	17.50	49 340	19.26	61 910	20.85	76 510	22.31	93 360	23.65	112 680	24.90
MTZ288	45	33 220	17.56	43 980	19.80	56 280	21.76	70 370	23.46	86 480	24.94	104 850	26.23	125 710	27.36
MTZ320	45	37 360	19.95	48 770	22.44	62 120	24.84	77 690	27.09	95 770	29.13	116 640	30.91	140 590	32.38

Legend: To: Evaporating temperature in °C Qo: Cooling capacity in W Superheat = 11.1 K Voltage: 460V / 3 / 60 Hz
Tc: Condensing temperature in °C Pe: Power input in kW Subcooling = 8.3 K

Quick reference

Performance data

MTZ R134a

Model	To Tc	-15		-10		-5		0		5		10		15		20	
		Qo	Pe	Qo	Pe	Qo	Pe	Qo	Pe	Qo	Pe	Qo	Pe	Qo	Pe	Qo	Pe
MTZ018	45	970	0.73	1 360	0.82	1 840	0.91	2 450	0.99	3 190	1.06	4 090	1.12	5 170	1.16	6 430	1.17
MTZ022	45	1 310	0.90	1 830	1.03	2 470	1.15	3 260	1.26	4 210	1.36	5 340	1.43	6 670	1.48	8 220	1.50
MTZ028	45	1 730	1.14	2 450	1.32	3 300	1.50	4 290	1.66	5 430	1.80	6 750	1.91	8 250	1.98	9 960	2.02
MTZ032	45	1 870	1.37	2 630	1.58	3 550	1.78	4 630	1.96	5 910	2.12	7 400	2.24	9 130	2.31	11 100	2.34
MTZ036	45	2 360	1.53	3 230	1.79	4 270	2.04	5 490	2.27	6 920	2.48	8 580	2.64	10 480	2.77	12 650	2.84
MTZ040	45	2 850	1.68	3 830	1.99	4 990	2.28	6 340	2.57	7 900	2.82	9 710	3.04	11 760	3.22	14 100	3.35
MTZ044	45	2 550	1.60	3 690	1.89	5 060	2.14	6 700	2.34	8 630	2.51	10 890	2.64	13 520	2.74	16 550	2.82
MTZ050	45	2 820	1.97	4 080	2.25	5 600	2.49	7 420	2.69	9 570	2.87	12 090	3.01	15 020	3.12	18 410	3.20
MTZ056	45	3 120	2.20	4 580	2.56	6 330	2.87	8 420	3.15	10 900	3.38	13 790	3.57	17 160	3.72	21 030	3.84
MTZ064	45	3 690	2.42	5 320	2.81	7 290	3.15	9 620	3.44	12 360	3.69	15 560	3.91	19 270	4.09	23 510	4.24
MTZ072	45	4 260	2.78	6 110	3.19	8 310	3.58	10 910	3.93	13 960	4.25	17 510	4.54	21 620	4.78	26 340	4.99
MTZ080	45	5 060	3.17	7 050	3.64	9 450	4.06	12 310	4.46	15 710	4.82	19 690	5.17	24 320	5.51	29 660	5.85
MTZ100	45	5 490	3.80	7 910	4.37	10 820	4.92	14 300	5.41	18 410	5.83	23 220	6.16	28 800	6.37	35 220	6.43
MTZ125	45	7 010	4.33	9 950	5.02	13 510	5.71	17 760	6.37	22 790	6.98	28 700	7.53	35 550	7.99	43 440	8.35
MTZ144	45	10 040	6.06	13 450	6.84	17 440	7.56	22 090	8.21	27 460	8.74	33 630	9.14	40 660	9.36	48 610	9.37
MTZ160	45	11 200	6.52	14 990	7.40	19 410	8.26	24 550	9.07	30 470	9.82	37 240	10.48	44 940	11.03	53 640	11.43
MTZ200	45	10 980	7.59	15 810	8.75	21 640	9.84	28 600	10.83	36 820	11.67	46 440	12.32	57 600	12.73	70 440	12.86
MTZ250	45	14 020	8.65	19 910	10.04	27 020	11.42	35 520	12.73	45 590	13.96	57 390	15.05	71 100	15.98	86 890	16.70
MTZ288	45	20 090	12.12	26 890	13.67	34 880	15.12	44 180	16.42	54 920	17.49	67 260	18.27	81 310	18.71	97 220	18.75
MTZ320	45	22 400	13.05	29 970	14.79	38 820	16.51	49 100	18.14	60 930	19.64	74 480	20.96	89 880	22.05	107 270	22.86

MTZ R404A / R507A

Model	To Tc	-30		-25		-20		-15		-10		-5		0		5		10	
		Qo	Pe	Qo	Pe	Qo	Pe	Qo	Pe	Qo	Pe	Qo	Pe	Qo	Pe	Qo	Pe	Qo	Pe
MTZ018	45	340	0.78	730	1.06	1 190	1.29	1 750	1.48	2 410	1.64	3 190	1.76	4 100	1.85	5 160	1.91	6 380	1.96
MTZ022	45	820	1.08	1 280	1.30	1 840	1.51	2 510	1.70	3 330	1.87	4 300	2.03	5 440	2.17	6 780	2.29	8 320	2.39
MTZ028	45	1 240	1.42	1 840	1.71	2 540	1.98	3 380	2.23	4 360	2.45	5 500	2.66	6 830	2.84	8 360	2.99	10 110	3.13
MTZ032	45	1 350	1.52	1 980	1.84	2 740	2.15	3 660	2.44	4 750	2.72	6 050	2.97	7 580	3.19	9 370	3.37	11 440	3.51
MTZ036	45	1 400	1.67	2 160	2.01	3 070	2.35	4 170	2.69	5 480	3.03	7 040	3.36	8 860	3.67	10 990	3.97	13 440	4.24
MTZ040	45	1 670	1.93	2 520	2.32	3 550	2.69	4 790	3.06	6 260	3.42	8 010	3.77	10 050	4.12	12 420	4.47	15 150	4.82
MTZ044	45	1 470	1.85	2 440	2.33	3 600	2.78	4 990	3.19	6 650	3.55	8 600	3.87	10 890	4.15	13 540	4.38	16 580	4.56
MTZ050	45	1 980	2.29	3 060	2.80	4 370	3.27	5 930	3.69	7 790	4.06	9 970	4.38	12 520	4.66	15 470	4.90	18 870	5.10
MTZ056	45	2 160	2.41	3 430	3.07	4 940	3.64	6 750	4.14	8 870	4.58	11 360	4.98	14 250	5.35	17 580	5.69	21 380	6.03
MTZ064	45	2 630	2.83	3 990	3.53	5 610	4.15	7 560	4.70	9 860	5.21	12 580	5.67	15 760	6.10	19 440	6.51	23 680	6.90
MTZ072	45	3 170	3.44	4 640	4.16	6 440	4.83	8 610	5.45	11 210	6.01	14 280	6.53	17 900	7.00	22 100	7.41	26 940	7.78
MTZ080	45	3 950	4.02	5 580	4.91	7 560	5.72	9 930	6.47	12 760	7.16	16 090	7.80	20 000	8.40	24 540	8.96	29 760	9.51
MTZ100	45	3 790	4.61	5 800	5.63	8 220	6.54	11 110	7.35	14 530	8.06	18 560	8.69	23 270	9.23	28 730	9.70	35 000	10.10
MTZ125	45	5 820	6.37	8 290	7.47	11 230	8.52	14 710	9.52	18 830	10.45	23 650	11.30	29 260	12.06	35 750	12.72	43 200	13.28
MTZ144	45	7 210	7.40	10 030	8.66	13 410	9.83	17 430	10.92	22 200	11.95	27 810	12.94	34 360	13.92	41 950	14.91	50 680	15.91
MTZ160	45	8 000	8.38	11 040	9.64	14 670	10.93	18 990	12.23	24 130	13.53	30 160	14.80	37 220	16.05	45 400	17.26	54 800	18.40
MTZ200	45	7 570	9.21	11 610	11.26	16 440	13.08	22 210	14.70	29 060	16.13	37 120	17.37	46 540	18.46	57 460	19.40	70 000	20.21
MTZ250	45	11 650	12.74	16 590	14.94	22 460	17.05	29 420	19.04	37 650	20.89	47 290	22.59	58 520	24.12	71 500	25.45	86 390	26.56
MTZ288	45	14 410	14.81	20 060	17.33	26 810	19.65	34 860	21.83	44 390	23.89	55 620	25.89	68 720	27.85	83 910	29.81	101 370	31.82
MTZ320	45	16 000	16.75	22 070	19.28	29 330	21.86	37 990	24.46	48 250	27.05	60 330	29.61	74 440	32.11	90 790	34.51	109 600	36.80

Legend: To: Evaporating temperature in °C Qo: Cooling capacity in W Superheat = 10 K Voltage: 460V / 3 / 60 Hz
Tc: Condensing temperature in °C Pe: Power input in kW Subcooling = 0 K



Danfoss Commercial Compressors is a worldwide manufacturer of compressors and condensing units for refrigeration and HVAC applications. With a wide range of high quality and innovative products we help your company to find the best possible energy efficient solution that respects the environment and reduces total life cycle costs.

We have 40 years of experience within the development of hermetic compressors which has brought us amongst the global leaders in our business, and positioned us as distinct variable speed technology specialists. Today we operate from engineering and manufacturing facilities spread across three continents.



Danfoss Inverter scroll compressors



Danfoss Air Conditioning scroll compressors



Danfoss Heat Pump scroll compressors



Maneurop® Inverter reciprocating compressors



Danfoss Refrigeration scroll compressors



Maneurop® Reciprocating Compressors



Optyma™ & Optyma Plus™ Condensing Units



Light commercial reciprocating compressors (manufactured by Secop)

Our products can be found in a variety of applications such as rooftops, chillers, residential air conditioners, heatpumps, coldrooms, supermarkets, milk tank cooling and industrial cooling processes.

member of:



www.asercom.org

Danfoss Commercial Compressors <http://cc.danfoss.com>

Danfoss can accept no responsibility for possible errors in catalogues, brochures and other printed material. Danfoss reserves the right to alter its products without notice. This also applies to products already on order provided that such alterations can be made without subsequential changes being necessary in specifications already agreed. All trademarks in this material are property of the respective companies. Danfoss and the Danfoss logotype are trademarks of Danfoss A/S. All rights reserved.

FRCC.PK.010.B2.02 February 2013 - replace FRCC.EK.010.A1.02 December 2006

Copyright Danfoss Commercial Compressors - 02/2013