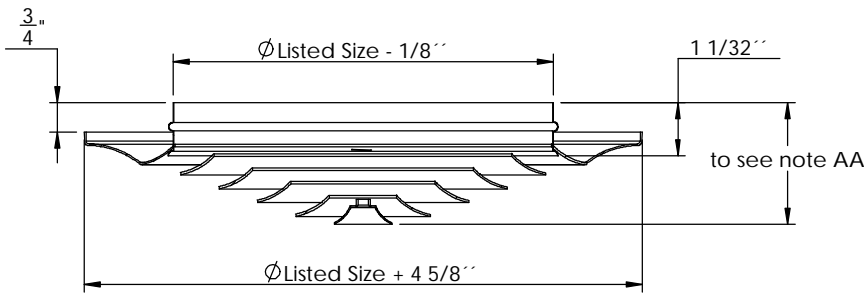
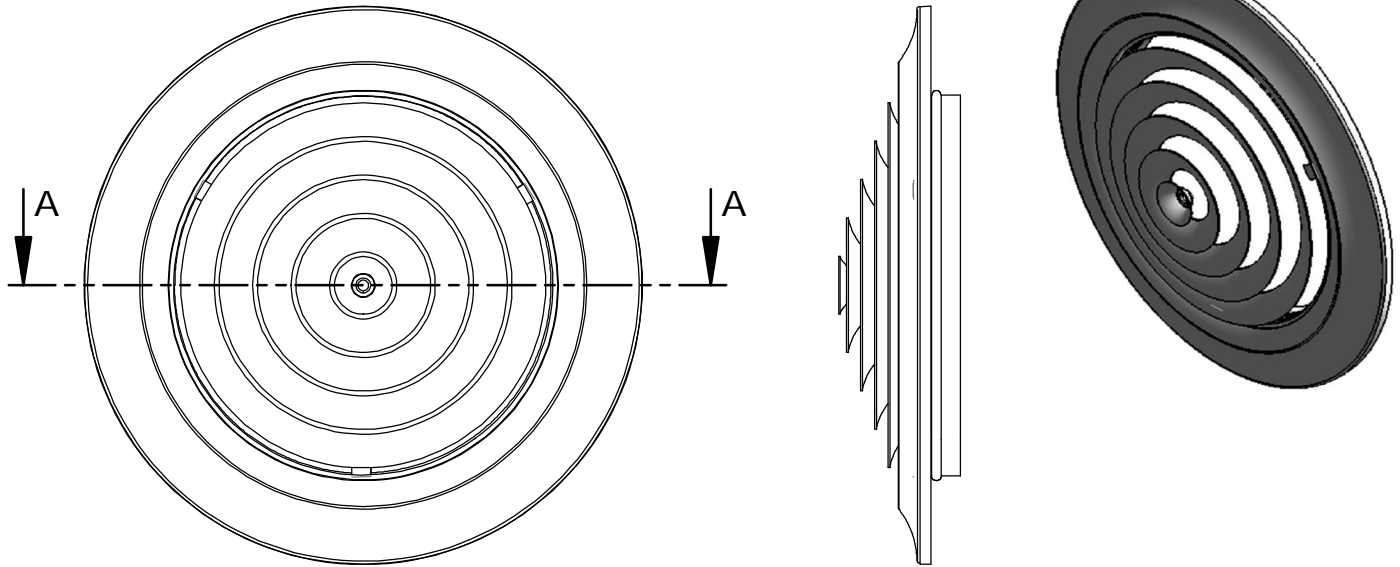




MODEL DR1000A-IR



SECCIÓN A-A
ESCALA 1 : 5

Note AA:
The height vary in accordance with the size.

Size Ø	AA
6"	27/16"
8"	2 13/16"
10"	33/16"
12"	3 1/2"
14"	37/8"

Finish
White (Standard)
Other colors (Optional)

MODEL DR1000A-IR

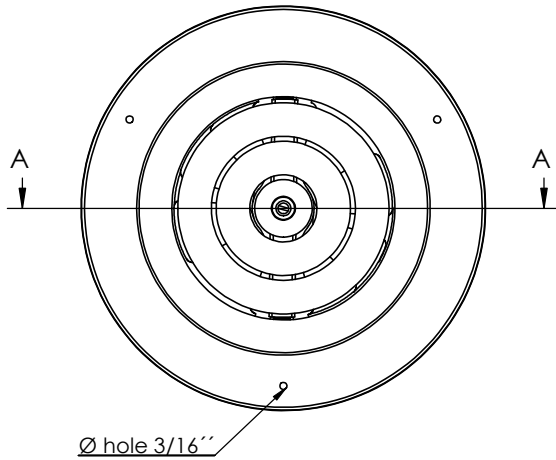
Extrude Aluminum

Job Name: _____
Location: _____

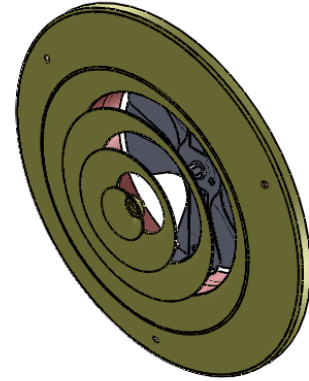
Architect: _____
Engineer: _____
Contractor: _____



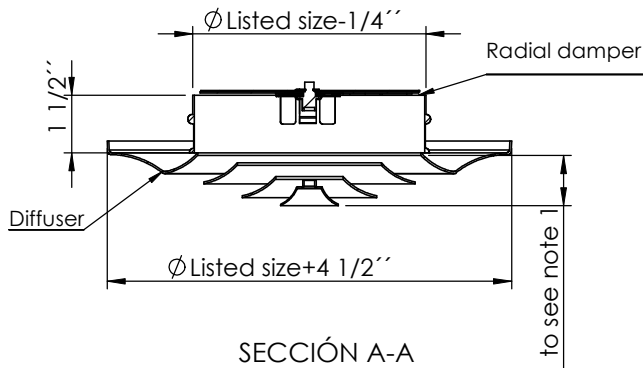
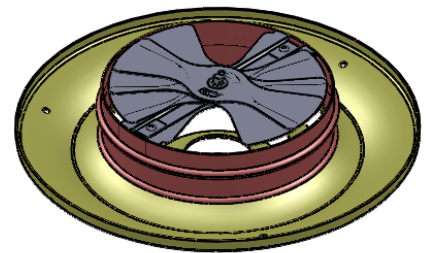
MODEL DR1000-RADIAL DAMPER



Isometric



Isometric



Finish
 White (Standard)
 Other colors (Optional)

Note 1: The height vary in accordance with the size

Note 2: Avariable in sizes Ø6" to 14".

Dimensions are in inches

MODEL DR1000-RADIAL DAMPER

Extrude Aluminium

Job Name: _____

Architect: _____

Location: _____

Engineer: _____

Contractor: _____