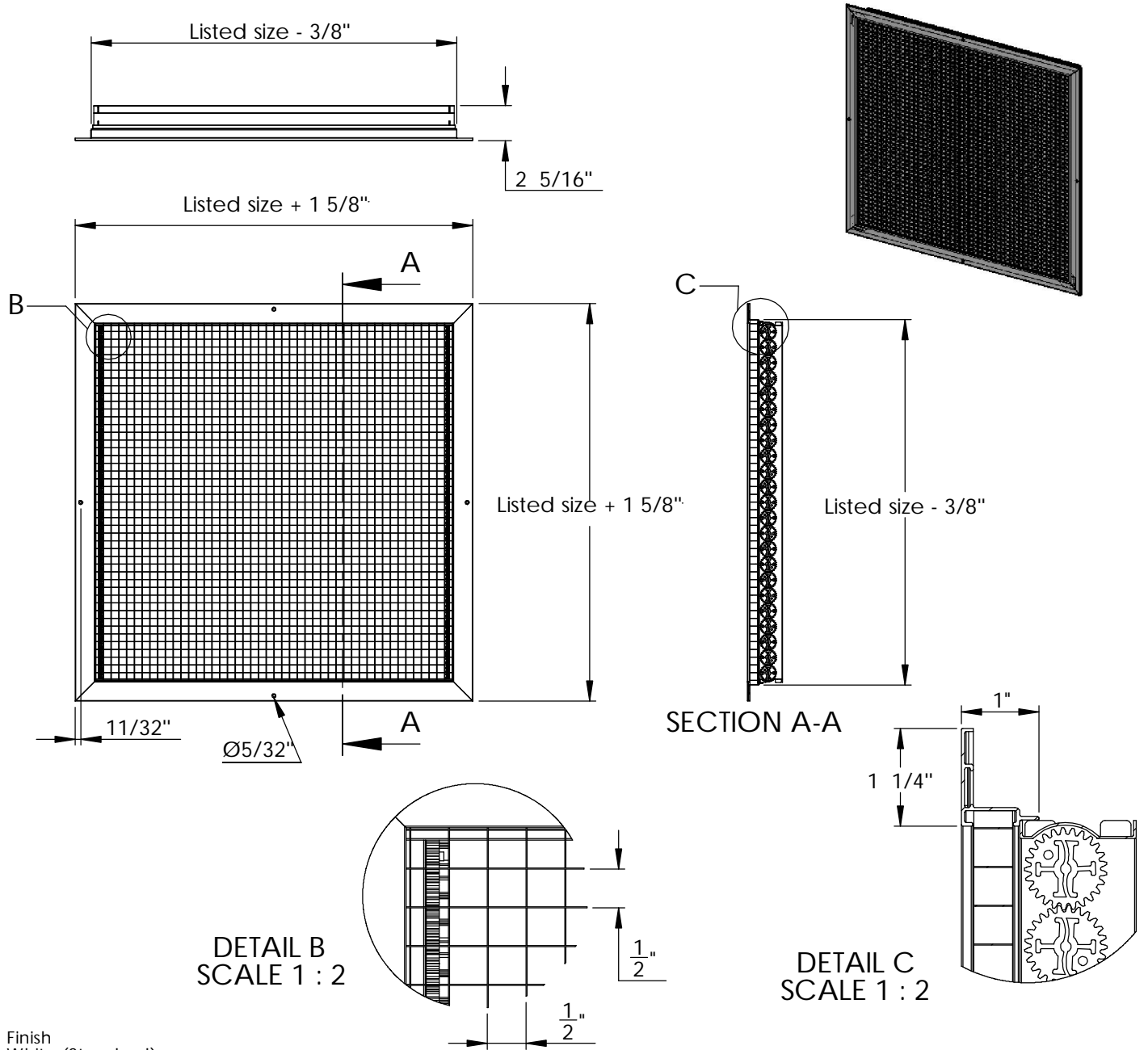




MODEL L-RA-G-OB



Finish  
 White (Standard)  
 Other colors (Optional)

NOTE: Available in size 4''x4'' to 48''x48''

Dimensions are in inches

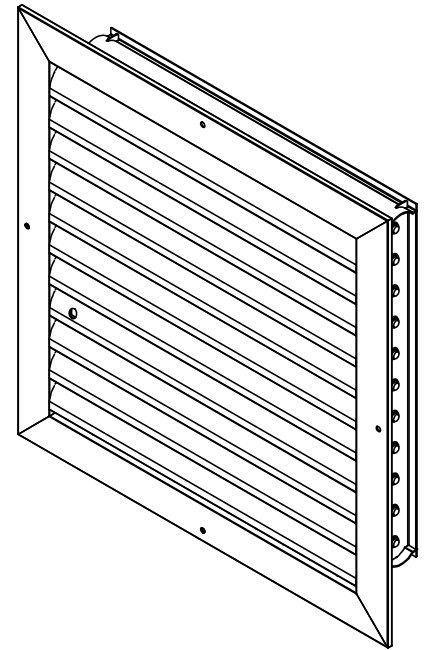
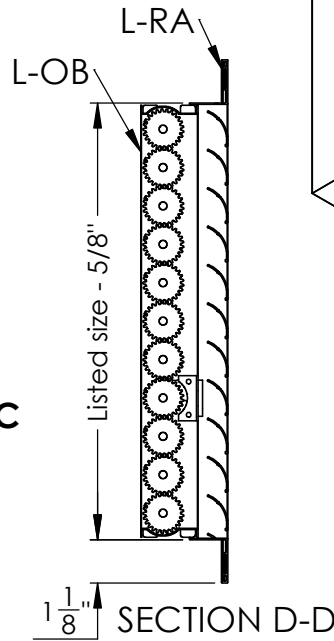
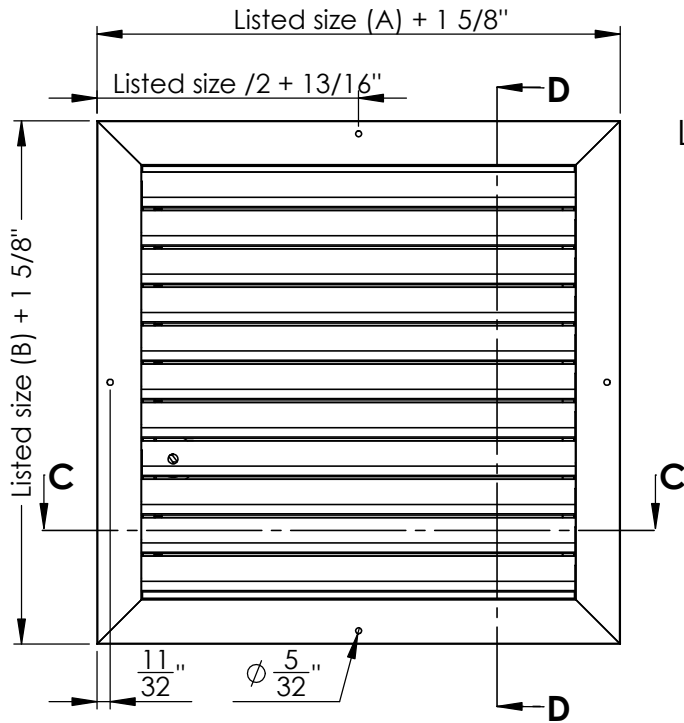
MODEL L-RA-G-OB

Extruded Aluminum

Job Name: _____	Architect: _____
Location: _____	Engineer: _____
	Contractor: _____



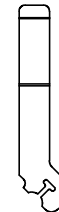
MODEL L-RA-OB



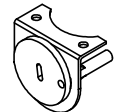
Detail (E)-G

Detail (E)  
Damper operator OB

P= Lever



G= Kit OB



Finish  
White (Standard)  
Other colors (Optional)

NOTE: Available in size (A)x (B): 4''x4'' to 48''x48''

Dimensions are in inches

MODEL L-RA-OB

Extruded Aluminum

Job Name: \_\_\_\_\_  
Location: \_\_\_\_\_

Architect: \_\_\_\_\_  
Engineer: \_\_\_\_\_  
Contractor: \_\_\_\_\_