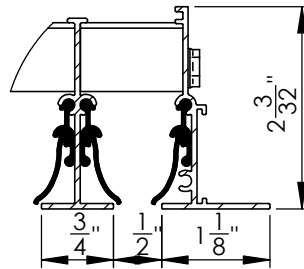
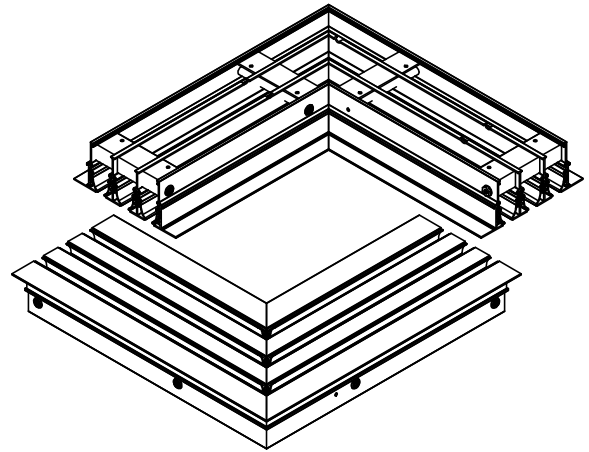
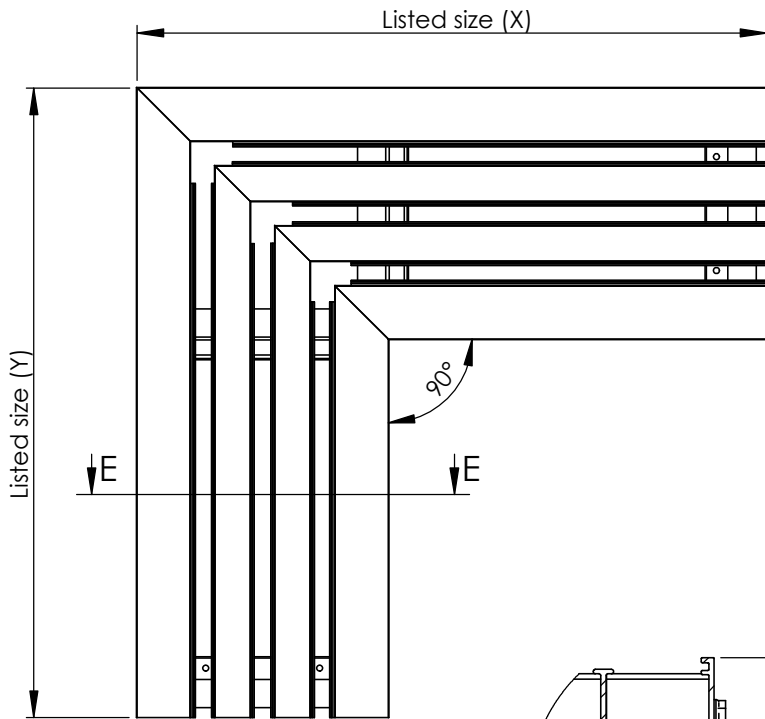
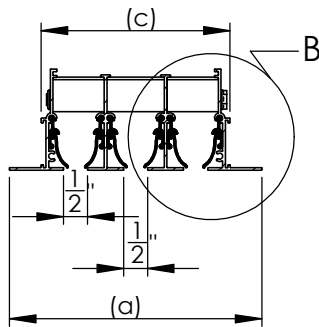




MODEL 90° CORNER L-SD-1/2"



With Air-Flow Corrector
Perforated Steel Sheet
(optional)



SECCIÓN E-E
ESCALA 1 : 4

LISTED SIZE	X	Y
12"	12"	12"
24"	24"	24"

1/2" SLOT	# SLOTS			
	1	2	3	4
(a)	2 3/4"	4"	5 1/4"	6 1/2"
(c)	1 7/16"	2 11/16"	3 15/16"	5 3/16"

1/2" SLOT	# SLOTS			
	5	6	7	8
(a)	7 3/4"	9"	10 1/4"	11 1/2"
(c)	6 7/16"	7 11/16"	8 15/16"	10 3/16"

Finish
White Face, Black Pattern Controllers and Black Air Flow Corrector (Standard)
Other colors (Optional)

NOTE: Available in 1 to 8 slots.
Listed size A available from 2 to 6 feet.

MODEL 90° CORNER L-SD-1/2"

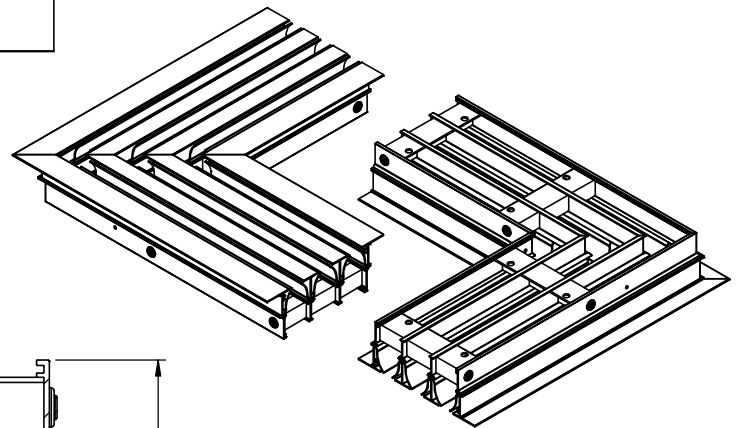
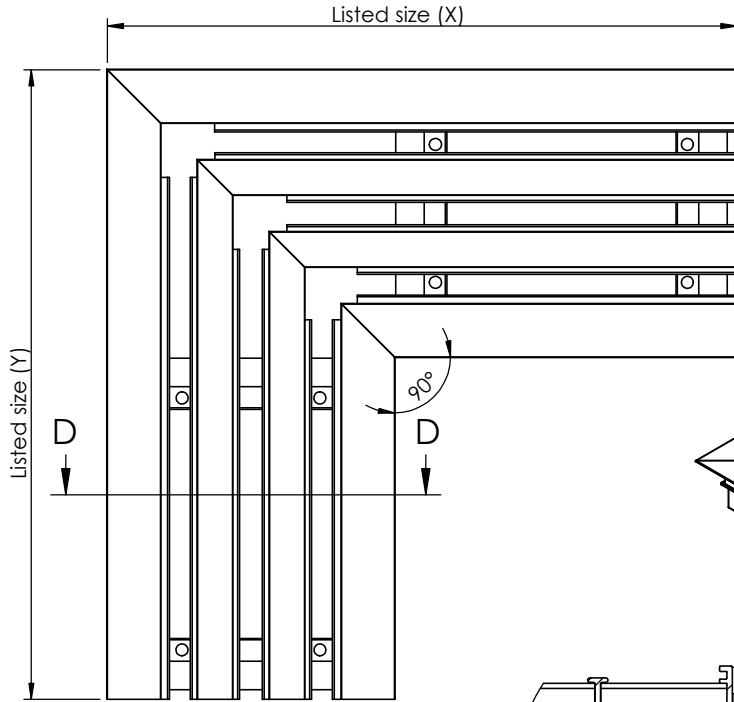
Extruded Aluminum
Perforated Steel Sheet (optional)

Job Name: _____
Location: _____

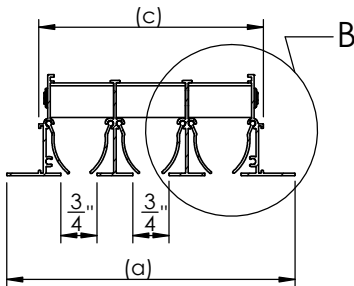
Architect: _____
Engineer: _____
Contractor: _____



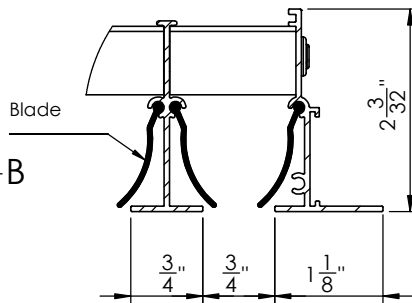
MODEL 90° CORNER L-SD-3/4"



With Air-Flow Corrector
Perforated Steel Sheet
(optional)



SECCIÓN D-D
ESCALA 1 : 4



DETALLE B
ESCALA 1 : 2

LISTED SIZE	X	Y
12"	12"	12"
24"	24"	24"

1/2" SLOT	# SLOTS			
	1	2	3	4
(a)	3"	4 1/2"	6"	7 1/2"
(c)	1 11/16"	3 3/16"	4 11/16"	6 3/16"

1/2" SLOT	# SLOTS			
	5	6	7	8
(a)	9"	10 1/2"	12"	13 1/2"
(c)	7 11/16"	9 3/16"	10 11/16"	12 3/16"

Finish
White Face, Black Pattern Controllers and Black Air Flow Corrector (Standard)
Other colors (Optional)

NOTE: Available in 1 to 8 slots.
Listed size A available from 2 to 6 feet.

Extruded Aluminium
Perforated Steel Sheet (optional)

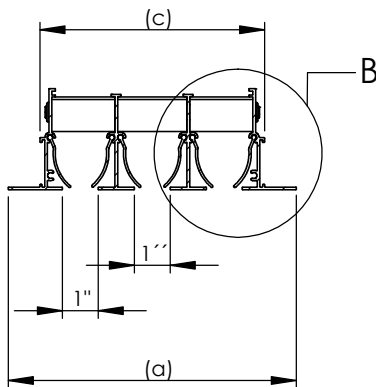
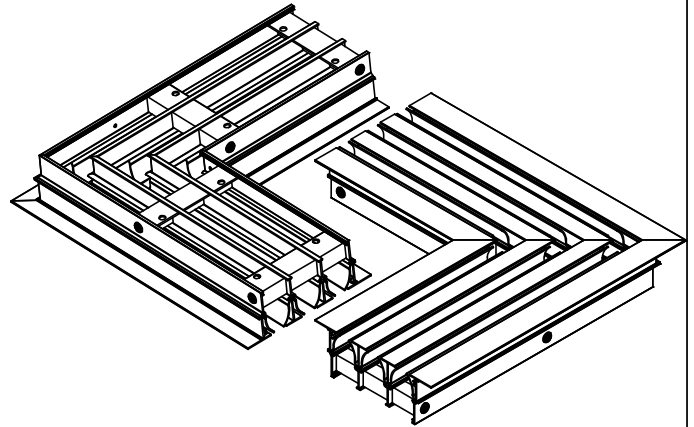
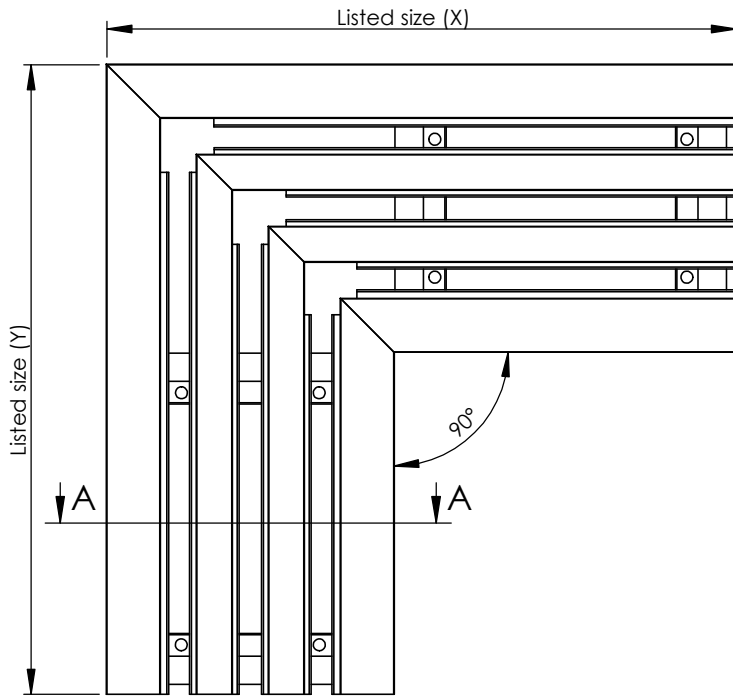
MODEL 90° CORNER L-SD-3/4"

Job Name: _____
Location: _____

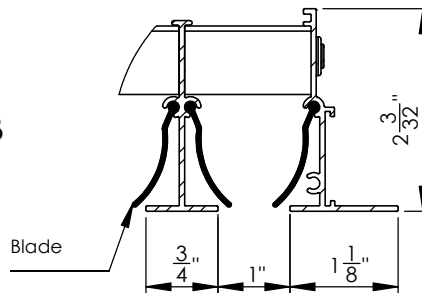
Architect: _____
Engineer: _____
Contractor: _____



MODEL 90° CORNER L-SD-1"



SECCIÓN A-A
ESCALA 1 : 4



DETALLE B
ESCALA 1 : 2

With Air-Flow Corrector
Perforated Steel Sheet
(optional)

LISTED SIZE	X	Y
12"	12"	12"
24"	24"	24"

1/2" SLOT	# SLOTS			
	1	2	3	4
(a)	3 1/4"	5"	6 3/4"	8 1/2"
(c)	1 15/16"	3 11/16"	5 7/16"	7 3/16"

1/2" SLOT	# SLOTS			
	5	6	7	8
(a)	10 1/4"	12"	13 3/4"	15 1/2"
(c)	8 15/16"	10 11/16"	12 7/16"	14 3/16"

Finish
White Face, Black Pattern Controllers and Black Air Flow Corrector (Standard)
Other colors (Optional)

NOTE: Available in 1 to 8 slots.
Listed size A available from 2 to 6 feet.

Extruded Aluminium

Perforated Steel Sheet (optional)

MODEL 90° CORNER L-SD-1"

Job Name: _____

Architect: _____

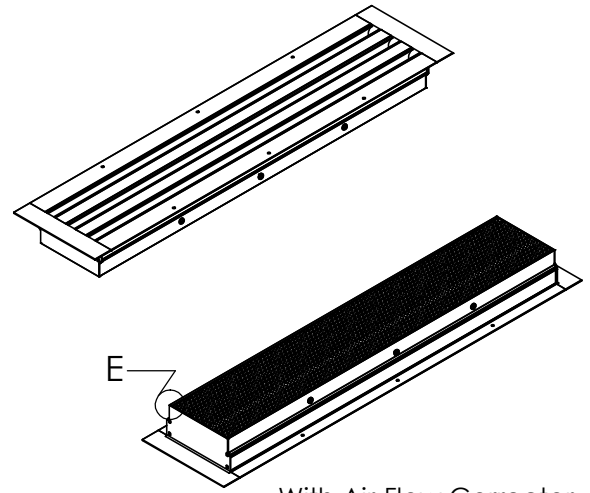
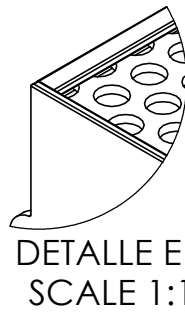
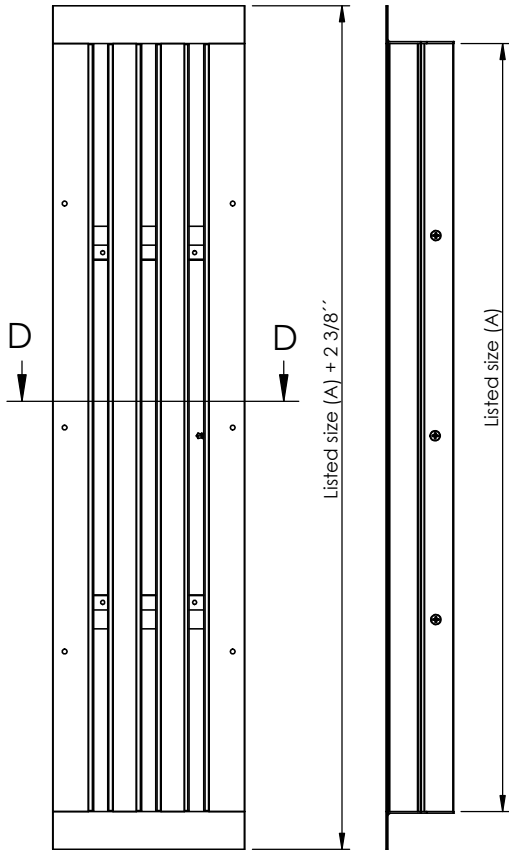
Location: _____

Engineer: _____

Contractor: _____



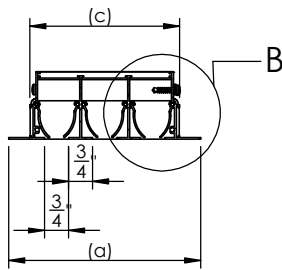
MODEL L-SD-3/4''



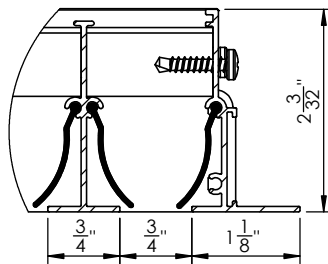
With Air-Flow Corrector
Perforated Steel Sheet
(optional)

3/4" SLOT	# SLOTS			
	1	2	3	4
(a)	3"	4 1/2"	6"	7 1/2"
(c)	1 11/16"	3 3/16"	4 11/16"	6 3/16"

3/4" SLOT	# SLOTS			
	5	6	7	8
(a)	9"	10 1/2"	12"	13 1/2"
(c)	7 11/16"	9 3/16"	10 11/16"	12 3/16"



SECTION D-D
SCALE 1 : 6



DETAIL B
SCALE 1 : 2

Accessories Optional

LEFT RIGHT CENTRAL

Removable lateral accessories with screwdriver
The diffuser could be LEFT, RIGHT or CENTRAL

*Flat end cap

Finish
White Face, Black Pattern Controllers and Black Air Flow Corrector (Standard)
Other colors (Optional)

NOTE: Available in 1 to 8 slots.
Listed size a from 2 to 6 feet.

MODEL L-SD-3/4''

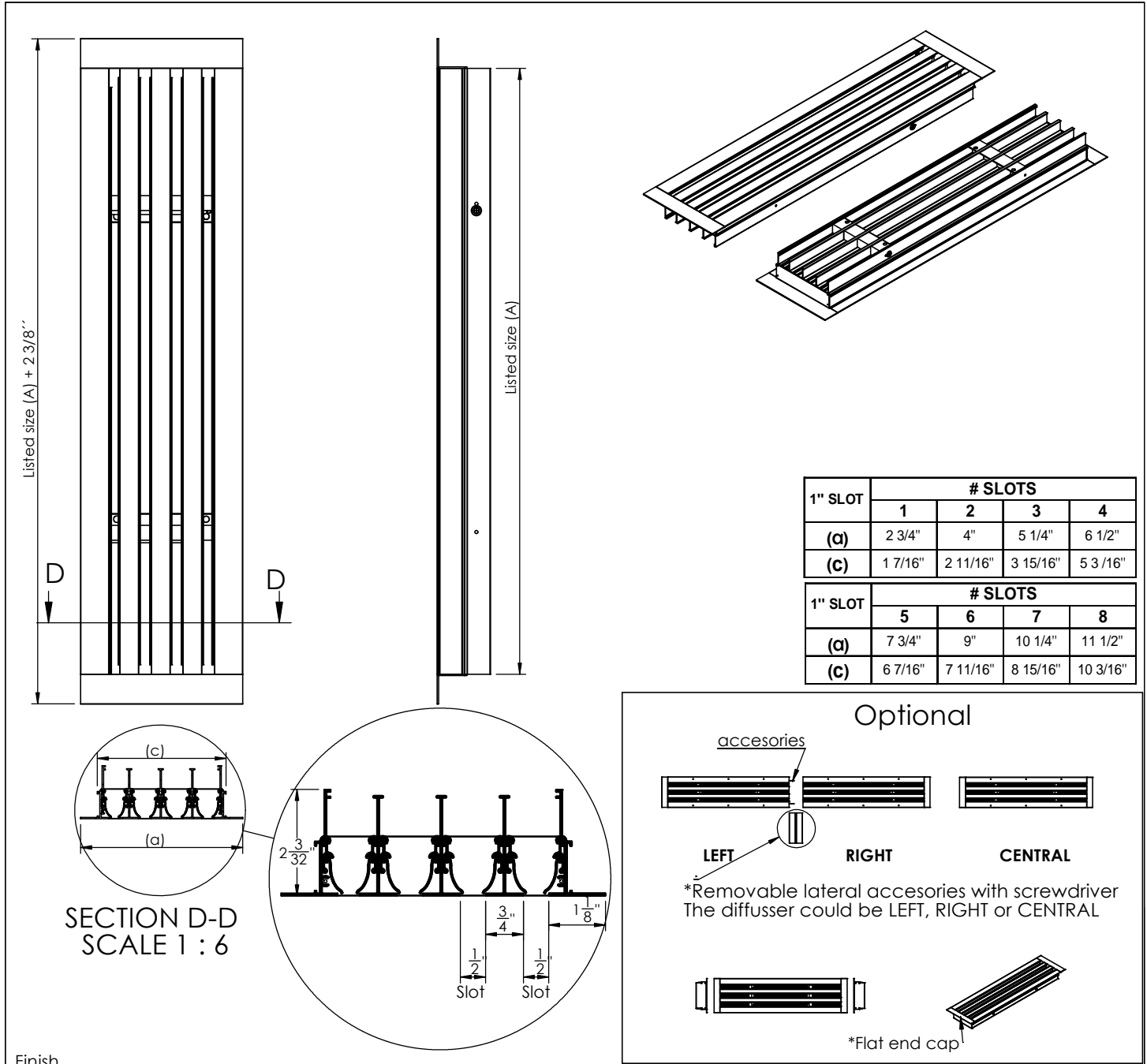
Extrude Aluminum
Perforated steel sheet (optional)

Job Name: _____
Location: _____

Architect: _____
Engineer: _____
Contractor: _____



MODEL L-SD-1/2''



1" SLOT	# SLOTS			
	1	2	3	4
(a)	2 3/4"	4"	5 1/4"	6 1/2"
(c)	1 7/16"	2 11/16"	3 15/16"	5 3/16"

1" SLOT	# SLOTS			
	5	6	7	8
(a)	7 3/4"	9"	10 1/4"	11 1/2"
(c)	6 7/16"	7 11/16"	8 15/16"	10 3/16"

Optional

*Removable lateral accessories with screwdriver
The diffuser could be LEFT, RIGHT or CENTRAL

*Flat end cap

Finish
 White face, black pattern Controllers and black Air Flow Corrector (Standard)
 Other colors (Optional)

NOTE: Available in 1 to 8 slots.
 Listed size available from 2 to 6 feet.

MODEL L-SD-1/2''

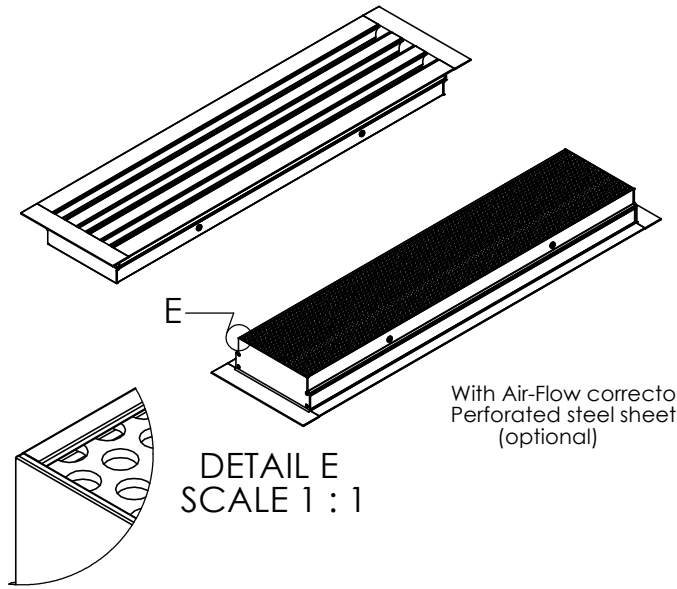
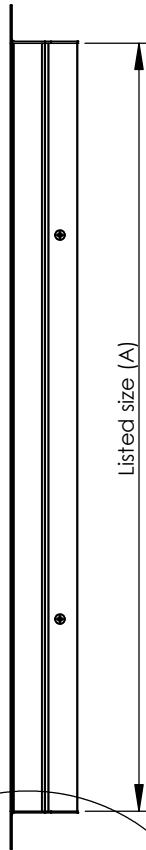
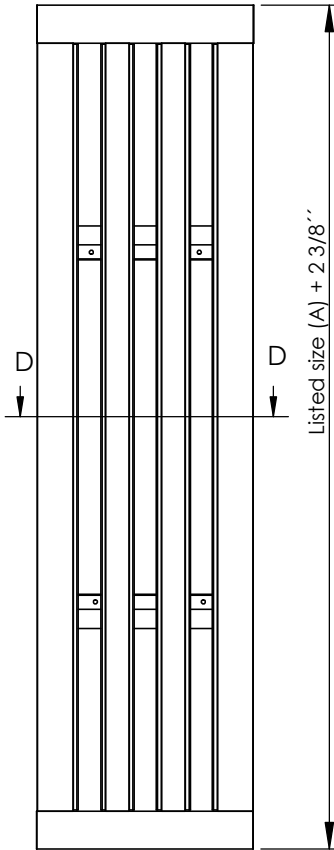
Extrude Aluminum
 Perforated steel sheet (optional)

Job Name: _____
 Location: _____

Architect: _____
 Engineer: _____
 Contractor: _____



MODEL L-SD-1''

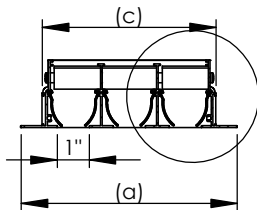


With Air-Flow corrector
Perforated steel sheet
(optional)

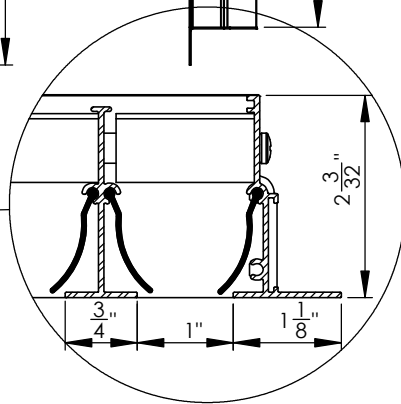
DETAIL E
SCALE 1 : 1

1" SLOT	# SLOTS			
	1	2	3	4
(a)	3 1/4"	5"	6 3/4"	8 1/2"
(c)	1 15/16"	3 11/16"	5 7/16"	7 3/16"

1" SLOT	# SLOTS			
	5	6	7	8
(a)	10 1/4"	12"	13 3/4"	15 1/2"
(c)	8 15/16"	10 11/16"	12 7/16"	14 3/16"



SECTION D-D
SCALE 1 : 6



DETAIL B
SCALE 1 : 2

Finish
White face, black pattern Controllers and black Air Flow Corrector (Standard)
Other colors (Optional)

Optional

*Removable lateral accessories with screwdriver
The diffuser could be LEFT, RIGHT or CENTRAL

*Flat end cap.

NOTE: Available in 1 to 8 slots.
Listed size a from 2 to 6 feet.

MODEL L-SD-1''

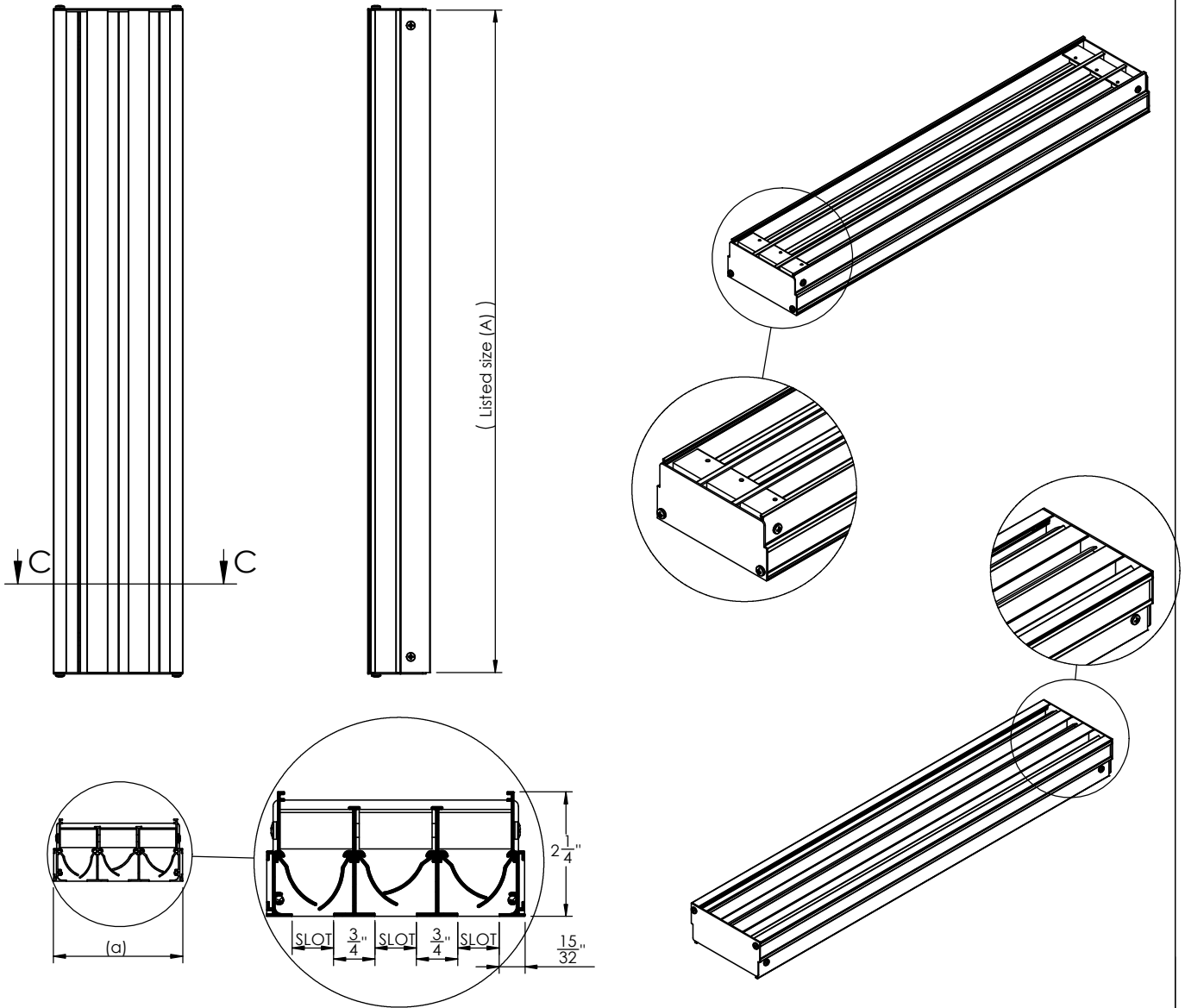
Extrude Aluminum
Perforated steel sheet (optional)

Job Name: _____
Location: _____

Architect: _____
Engineer: _____
Contractor: _____



MODEL L-SD-TYPE 6



SECTION C-C
SCALE 1 : 6

SLOT	NUMBER OF SLOTS							
	1	2	3	4	5	6	7	8
(a) 1/2"	1 7/16"	2 11/16"	3 15/16"	5 3/16"	6 7/16"	7 11/16"	8 15/16"	10 3/16"
3/4"	1 11/16"	3 3/16"	4 11/16"	6 3/16"	7 11/16"	9 3/16"	10 11/16"	12 3/16"
1"	1 15/16"	3 11/16"	5 7/16"	7 3/16"	8 15/16"	10 11/16"	12 7/16"	14 13/16"

Finish
White face, black pattern Controllers and black Air Flow Corrector (Standard)
Other colors (Optional)

NOTE: Available in 1 to 8 slots.
Listed size available from 2 to 6 feet.

MODEL L-SD-TYPE 6

Extrude Aluminum
Perforated steel sheet (optional)

Job Name: _____
Location: _____

Architect: _____
Engineer: _____
Contractor: _____