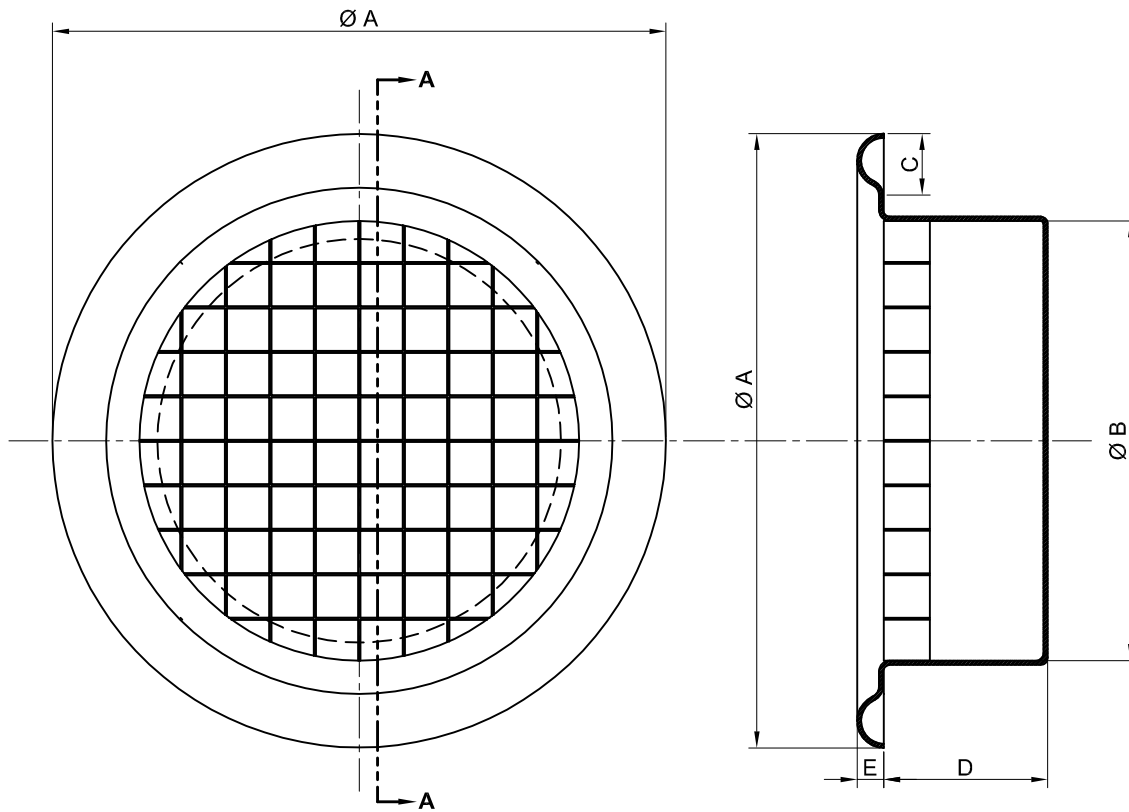


MODEL L-VL



SECCION A-A

MODEL	NOMINAL SIZE	Ø A	Ø B	C	D	E	FREE AREA
L-VL	5"	6 5/8"	4 3/4"	19/32"	1 25/32"	9/32	0.05 sq.ft
	8"	10"	7 1/16"	25/32"	2 31/32"	9/32	0.14 sq.ft

Finish  
White (Standard)  
Other colors (Optional)

Dimensions are in inches

MODEL L-VL

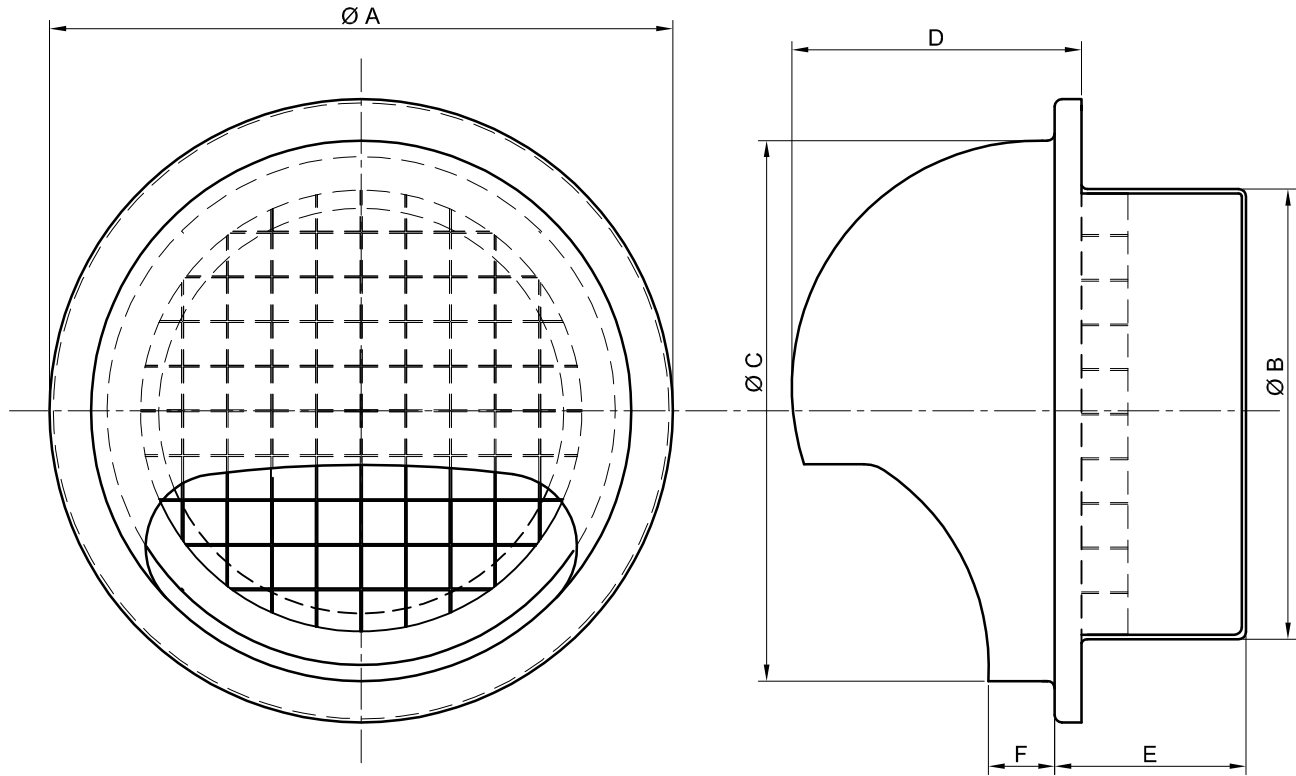
Embossed Aluminum

Job Name: \_\_\_\_\_  
Location: \_\_\_\_\_

Architect: \_\_\_\_\_  
Engineer: \_\_\_\_\_  
Contractor: \_\_\_\_\_



MODEL L-VLC



MODEL	NOMINAL SIZE	Ø A	Ø B	C	D	E	F	FREE AREA
L-VLC	8"	10 5/8"	7 1/16"	9 7/16"	5 23/32"	3 3/32"	1"	0.14 sq.ft

Finish  
 White (Standard)  
 Other colors (Optional)

Dimensions are in inches

MODEL L-VLC

Embossed Aluminum

Job Name: \_\_\_\_\_  
 Location: \_\_\_\_\_

Architect: \_\_\_\_\_  
 Engineer: \_\_\_\_\_  
 Contractor: \_\_\_\_\_