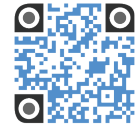




IM-50BAA-LM

LARGE 2" SQUARE CUBE ICE MACHINE
WITH BUILT-IN STORAGE BIN



IM-50BAA-LM
08/02/23
Item # 13543

W x D x H
19³/₄" x 17³/₄" x 39¹/₂" *
*with 6" legs



Diameter 1.9" x 1.9" x 2.3"
Cube Weight 4.2oz



Item #: _____
Project: _____
Qty: _____
AIA#: _____

Features

- ▶ Small footprint can easily fit under bar counter
- ▶ Cubes have superior chilling ability and beautiful appearance
- ▶ Clear, solid 1.9" x 1.9" x 2.3" cube

- Up to 50 lbs. of ice production per 24 hours
- Built-in storage bin with 22 lb. capacity
- Durable stainless steel exterior
- Easy to clean air filter
- Foam injected polyurethane for insulation (HFC free)
- Closed water circuit offers the ultimate contamination protection
- Ice scoop included
- 6.5' power cord with NEMA 5-15P plug

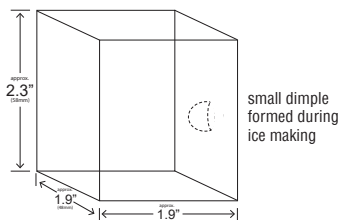
Warranty

- 3 year Parts & Labor on entire machine.
 - 5 year Parts on Compressor; air-cooled condenser coil.
- Valid in United States, Canada, Puerto Rico & U.S. Territories. Contact factory for warranty in other countries.

Shipping: (LxWxH) 24" x 22" X 38"H Volume: 11.61ft³

Condenser	Model	ICE PRODUCTION		WATER USAGE		kWh Used per 100 lbs. 90°/70°F	Min. Circuit/Max. Fuse Size	Amperage	Voltage	Heat Rejection BTU/hr.	Refrigerant Charge Amount	Net / Ship Weight (lbs.)
		Air / Water Temp Lbs. per 24 hours 70°/50°F 90°/70°F	Potable Gal. per 24 hrs. 90°/70°F	Condenser Gal. per 100 lbs. 90°/70°F								
Air	IM-50BAA-LM	50 45	22	N/A	15.7	15A	5.0A	115V/60/1	1500	R134a / 6.0oz	115 / 137	

2by2 Cube Dimensions*



* approximate size; image not to scale

Operating Limits

- Ambient Temp Range 45 - 100°F
- Water Temp Range 45 - 90°F
- Water Pressure 10 - 113 PSIG
- Voltage Range 104 - 127V
- If GFCI is required, a GFCI breaker MUST be used in lieu of GFCI receptacle

Service

- Removable/cleanable air filter
- Panels easily removed and all components accessible for service.

Plumbing

- Icemaker Water Supply Line: Minimum 1/2" Nominal ID Copper Water Tubing or Equivalent
- Icemaker Drain Line: Minimum 3/4" Nominal ID Hard Pipe or Equivalent

Clearance

- Minimum clearance: Allow 6" (15 cm) from Top and Rear. Allow 6" (15 cm) on left side and 0" on right side or 0" on left side and 6" (15 cm) on right side.

Water Filter

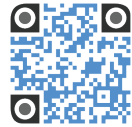
Please refer to water filter specification sheet for recommendations.

Hoshizaki reserves the right to change specifications without notice.



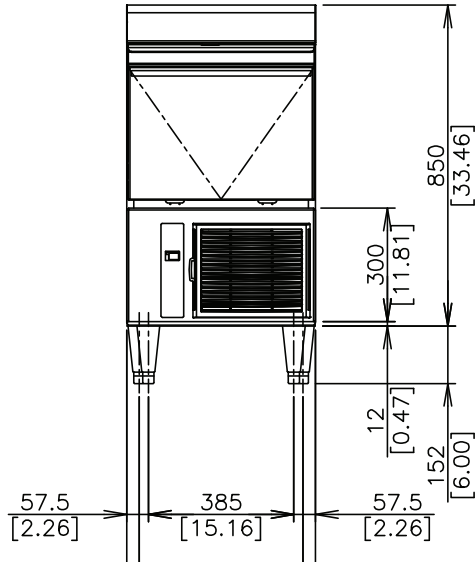
IM-50BAA-LM

LARGE 2" SQUARE CUBE ICE MACHINE
WITH BUILT-IN STORAGE BIN

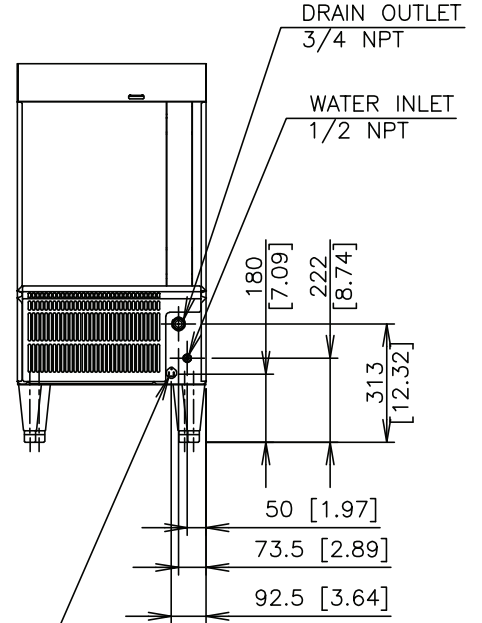


IM-50BAA-LM
08/02/23
Item # 13543

FRONT VIEW

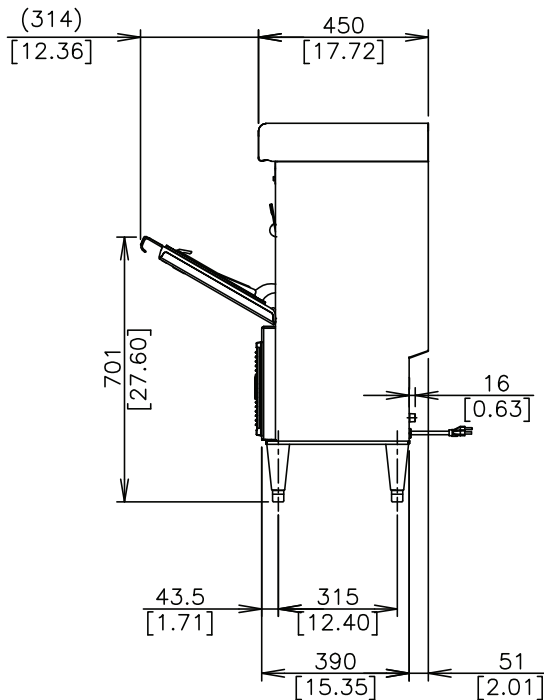


REAR VIEW



POWER SUPPLY CORD 2.0m[6.56 ft] LONG

SIDE VIEW



TOP VIEW

