



# F-330BAJ(-C)

## SELF-CONTAINED ICE MACHINE BUILT-IN STORAGE BIN



F-330BAJ(-C)  
08/03/23  
Item # 13200

Item #: \_\_\_\_\_  
Project: \_\_\_\_\_  
Qty: \_\_\_\_\_  
AIA#: \_\_\_\_\_

**W x D x H**  
**24" x 26" x 39"\***  
\*with 6" legs

Shipping Dimensions  
33" x 25<sup>1/4</sup>" x 38<sup>1/2</sup>"



**F-330BAJ**  
Air-Cooled

**F-330BAJ-C**  
Air-Cooled



## Features

- ▶ Front breathing allows for easier fit into tight spaces
- ▶ Durable stainless steel exterior
- ▶ Stainless steel auger with greaseless bearing

- F-330BAJ - Up to 332 lbs. of ice production per 24 hrs.
- F-330BAJ-C - Up to 288 lbs. of ice production per 24 hrs.
- Built-in storage capacity of 2.7ft<sup>3</sup>/80 lbs.\*
- Advanced CleanCycle24™ design 
- 2 second flush cycle every hour
- Convenient drop down door
- Protected by H-GUARD Plus Antimicrobial Agent 
- Front access for easier maintenance
- Removable air filters
- Equipped with 8 ft. cord with NEMA 5-15P Plug
- R-404A Refrigerant

### Warranty:

3 Year Parts & Labor on entire machine. 5 Year Parts on Compressor; air-cooled condenser coil. Valid in United States, Canada, Puerto Rico and U.S. Territories. Contact factory for warranty in other countries.

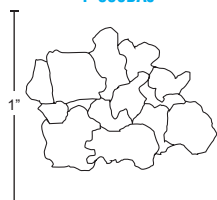
\*Rated in accordance with AHRI Standard 820(I-P). Capacity based on 100% of total volume x 30 lb/ft<sup>3</sup> average density of ice.



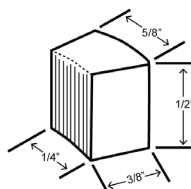
| Condenser | Model                | ICE PRODUCTION  |     | WATER USAGE                           |   | ELECTRICAL                        |                             |          |           | Heat Rejection BTU/hr. | Refrigerant Charge Amount | Net / Ship Weight (lbs.) |
|-----------|----------------------|---|-----|---------------------------------------|---|-----------------------------------|-----------------------------|----------|-----------|------------------------|---------------------------|--------------------------|
|           |                      | Air / Water Temp Lbs. per 24 hours<br>70°/50°F 90°/70°F |     | Potable Gal. per 100 lbs.<br>90°/70°F | Condenser Gal. per 100 lbs.<br>90°/70°F | kWh Used per 100 lbs.<br>90°/70°F | Min. Circuit/Max. Fuse Size | Amperage | Voltage   |                        |                           |                          |
| Air       | F-330BAJ (Flaker)    | 332   | 243 | 12.0                                  | N/A                                     | 5.91                              | 15A                         | 6.9A     | 115V/60/1 | 3,400                  | 7.1 oz                    | 147 / 178                |
| Air       | F-330BAJ-C (Cubelet) | 288   | 214 | 12.0                                  | N/A                                     | 7.30                              | 15A                         | 7.1A     | 115V/60/1 | 3,400                  | 7.1 oz                    | 148 / 178                |

### Cube Dimensions\*

**Flaked**  
F-330BAJ



**Cubelet**  
F-330BAJ-C



\* approximate size in inches, image not to scale

### Operating Limits

- Ambient Temp Range 45 - 100°F
- Water Temp Range 45 - 90°F
- Water Pressure 10 - 113 PSIG
- Voltage Range 104-127V
- If GFCI is required, a GFCI breaker MUST be used in lieu of GFCI receptacle

### Service

- Panels easily removed and all components accessible for service.
- Removable/cleanable air filter (Air-cooled model only)
- Allow 24" (61 cm) clearance at top for removal of auger.
- Appliance should not be located next to high heat producing equipment.

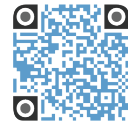
### Plumbing

- Icemaker Water Supply Line: Minimum 1/4" Nominal ID Copper Water Tubing or Equivalent
- Icemaker Drain Line: Minimum 3/4" Nominal ID Hard Pipe or Equivalent



# F-330BAJ(-C)

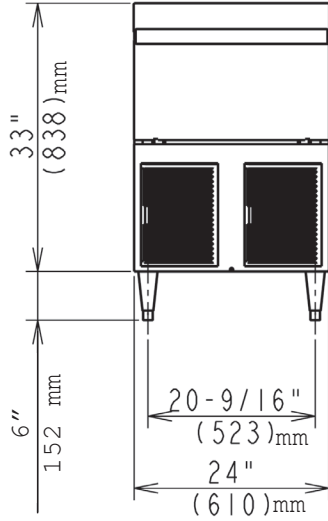
**SELF-CONTAINED ICE MACHINE  
BUILT-IN STORAGE BIN**



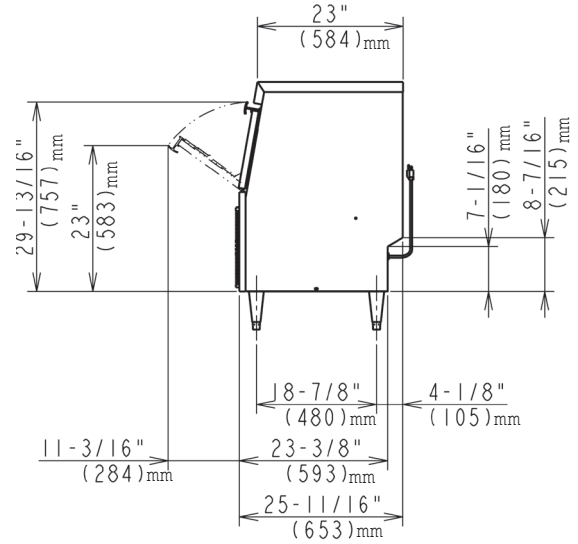
F-330BAJ(-C)  
08/03/23  
Item # 13200

inch  
(mm)

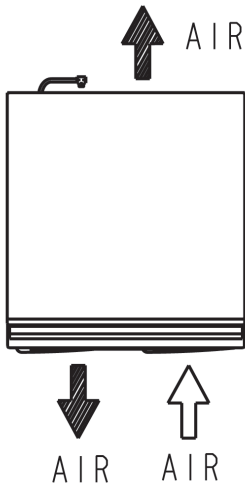
**FRONT VIEW**  
AIR-COOLED



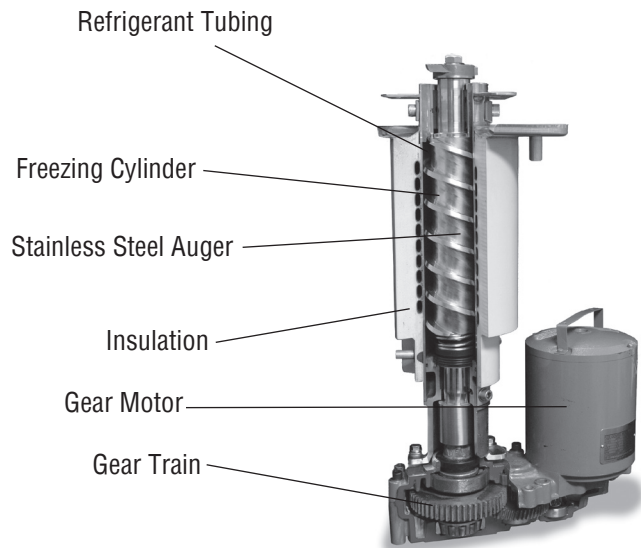
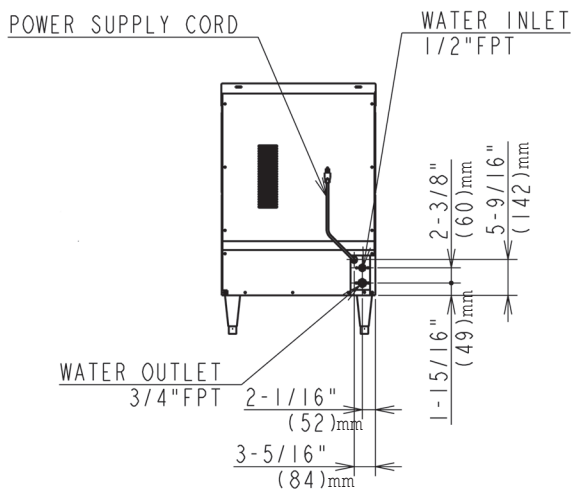
**SIDE VIEW**



**TOP VIEW**  
AIR-COOLED



**REAR VIEW**  
AIR-COOLED



**EVAPORATOR**