



KM-1340M_J(Z)(3)


MODULAR CRESCENT CUBER





KM-1340M_J(Z)(3)
08/02/23
Item # 13249

Item #: _____
Project: _____
Qty: _____
AIA#: _____

Features

- ▶ Individual crescent cube
- ▶ Stainless steel evaporator
- ▶ CycleSaver™ design 

- Up to 1428 lbs. of ice production per 24 hours
- Mount two units, side-by-side, in only 60" of floor space for double the amount of ice production
- Durable stainless steel exterior
- Protected by H-Guard Plus  Antimicrobial Agent
- EverCheck alert system 
- Removable air filters (Air-cooled model only)
- R-404A Refrigerant

Available on Bins:

B-500SF B-800SF B-1150SS B-1500SS
B-700SF B-900SF B-1300SS B-1650SS

Top kit may be required. See Bin Spec Sheets.

Warranty:

3 Year Parts & Labor on entire machine. 5 Year Parts & Labor on Evaporator. 5 Year Parts on Compressor; air-cooled condenser coil. Valid in United States, Canada, Puerto Rico and U.S. Territories. Contact factory for warranty in other countries.

Shipping: (LxWxH) 33.5" x 33.25" X 48" Volume: 30.94ft³



W x D x H
30" x 27^{3/8}" x 41^{1/2}"

KM|EDGE™

KM-1340MAJ ★
Air-Cooled 1 Phase
Shown on optional bin: B900

KM-1340MWJ
Water-Cooled 1 Phase

KM-1340MRJZ
Remote Air-Cooled 1 Phase

KM-1340MRJZ3 ★
Remote Air-Cooled 3 Phase



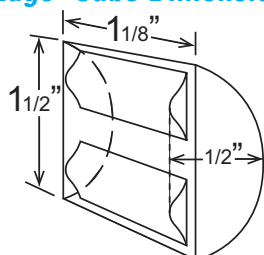
Condenser	Model	ICE PRODUCTION		WATER USAGE		ELECTRICAL								
		Air / Water Temp Lbs. per 24 hours 70°/50°F 90°/70°F	Potable Gal. per 100 lbs. 90°/70°F	Condenser Gal. per 100 lbs. 90°/70°F	kWh Used per 100 lbs. 90°/70°F	Min. Circuit/ Max. Fuse Size	Amperage	Voltage	Circuit Wires (including ground)	Heat Rejection BTU/hr.	Refrigerant Charge Amount	Net / Ship Weight (lbs.)		
1 Phase	Air	KM-1340MAJ	1275	1089	23.6	N/A	4.81	20A	13.2A	208-230V/60/1	4*	21,000	4 lbs. 10.1 oz.	285 / 315
	Water	KM-1340MWJ	1323	1280	17.8	128.5	3.60	20A	11.0A	208-230V/60/1	4*	18,500	2 lbs. 1.5 oz.	285 / 315
	Remote	KM-1340MRJZ	1371	1177	17.5	N/A	4.54	20A	14.0A	208-230V/60/1	4*	19,900	6 lbs. 9.8 oz. 11 lbs. 0.4 oz.†	259 / 289
3 Phase	Remote	KM-1340MRJZ3	1428	1266	17.5	N/A	4.12	20A	12.5A	208-230V/60/3	4	18,000	6 lbs. 9.8 oz. 11 lbs. 0.4 oz.†	259 / 289

*If neutral is not available transformer kit (HS-5030) is required. Refer to instruction manual for installation and electrical requirements.

†(with condenser)

Power cord not included. Must be hard-wired at site.

KMEdge™ Cube Dimensions* Operating Limits



* approximate size in inches, image not to scale

- Ambient Temp Range 45 - 100°F
- Water Temp Range 45 - 90°F
- Water Pressure 10 - 113 PSIG
- Voltage Range 187 - 253V
- If GFCI is required, a GFCI breaker MUST be used in lieu of GFCI receptacle

Service

- Panels easily removed and all components accessible for service.
- Allow 6" (15cm) clearance at rear, sides, and top for proper air circulation and ease of maintenance/service.

Plumbing

- Icemaker Water Supply Line: Min. 3/8" Nominal ID Copper Water Tubing or Equivalent
- Icemaker Drain Line: Min. 3/4" Nominal ID Hard Pipe or Equivalent Water-Cooled Model (Lines Must Be Independent of Icemaker)
- Condenser Water Supply Line: Min. 3/8" Nominal ID Copper Water Tubing or Equivalent
- Condenser Drain/Return Line: Min. 3/8" Nominal ID Hard Pipe (open drain system) or Copper Water Tubing (closed loop system) or Equivalent

Water Filter

Please refer to water filter spec sheet for recommended configurations.

Hoshizaki reserves the right to change specifications without notice.



KM-1340M_J(Z)(3)

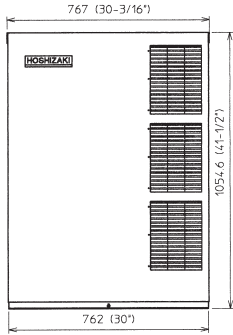
MODULAR CRESCENT CUBER

KM-1340M_J(Z)(3)

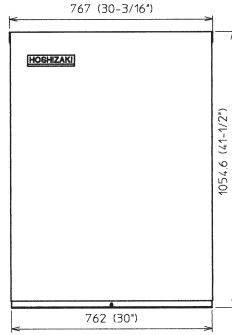
08/02/23

Item # 13249

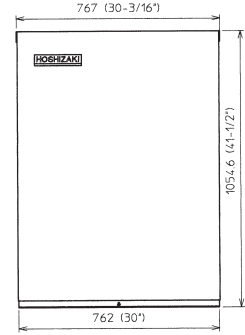
FRONT VIEW



AIR-COOLED

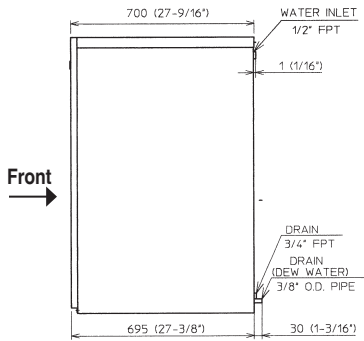


WATER-COOLED

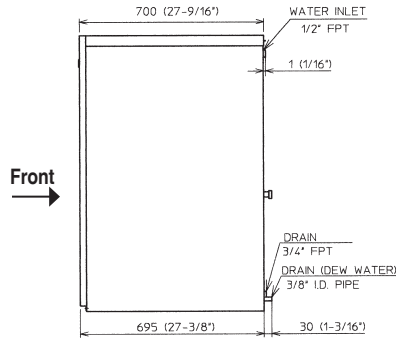


REMOTE AIR-COOLED

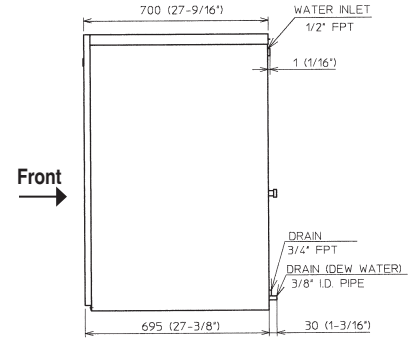
SIDE VIEW



AIR-COOLED

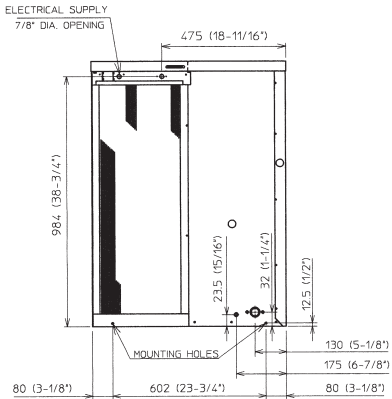


WATER-COOLED

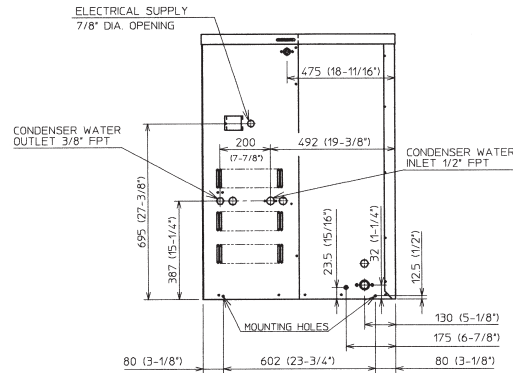


REMOTE AIR-COOLED

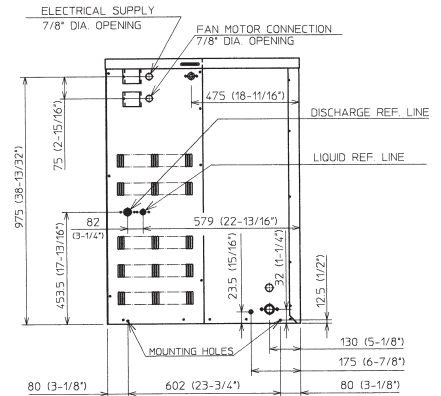
BACK VIEW



AIR-COOLED

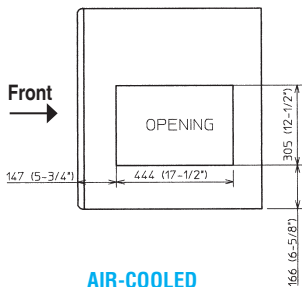


WATER-COOLED



REMOTE AIR-COOLED

BOTTOM VIEW



AIR-COOLED
WATER-COOLED
REMOTE AIR-COOLED

Brazed Line Sets (Sold Separately)
25' HS-5604
35' HS-5605
55' HS-5606



Voltage supply for the URC Remote Condenser is supplied from the Ice Maker. No additional circuit is required.

URC-14FZ Remote Condenser (Sold Separately)
(W x D x H) 35 11/16 x 14 1/16 x 36 1/2

For Use with KM-1340MRJZ(3)

