



KMD-860M_J(Z)


MODULAR CRESCENT CUBER





KMD-860M_J(Z)
08/03/23
Item # 13232

Item #: _____
Project: _____
Qty: _____
AIA#: _____

Features

- ▶ Individual crescent cube
- ▶ Stainless steel evaporator
- ▶ CycleSaver™ design 

- Up to 967 lbs. of ice production per 24 hours
- Durable stainless steel exterior
- Protected by H-Guard Plus  Antimicrobial Agent
- EverCheck™ alert system 
- Removable air filters
- R-404A Refrigerant

Available on Bins:

B-250SF **B-700SF** **B-900SF** **B-1300SS** **B-1650SS***
BD-500SF **B-800SF** **B-1150SS** **B-1500SS***

*Top kit may be required. See Bin Spec Sheets. *Two unit application only.*

Warranty:

3 Year Parts & Labor on entire machine. 5 Year Parts & Labor on Evaporator. 5 Year Parts on Compressor; air-cooled condenser coil. Valid in United States, Canada, Puerto Rico and U.S. Territories. Contact factory for warranty in other countries.

Shipping: (LxWxH) 33¹/₂" x 33¹/₄" x 28" Volume: 18.05ft³

W x D x H
30" x 24⁵/₈" x 28"

KMEDGE™

KMD-860MAJ
Air-Cooled
Shown on optional
Lancer 30" dispenser

KMD-860MWJ
Water-Cooled

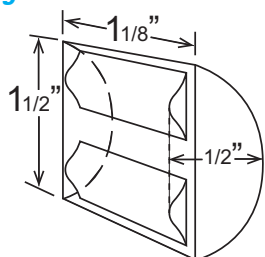
KMD-860MRJZ
Remote Air-Cooled



Condenser	Model	ICE PRODUCTION		WATER USAGE			ELECTRICAL					
		Air / Water Temp Lbs. per 24 hours 70°/50°F 90°/70°F	Potable Gal. per 100 lbs. 90°/70°F	Condenser Gal. per 100 lbs. 90°/70°F	kWh Used per 100 lbs. 90°/70°F	Min. Circuit/ Max. Fuse Size	Amperage	Voltage	Circuit Wires (including ground)	Heat Rejection BTU/hr.	Refrigerant Charge Amount	Net / Ship Weight (lbs.)
Air	KMD-860MAJ	855 665	30.0	N/A	5.16	20A	9.9A	208-230V/60/1	3	13,100	2 lbs. 6.8 oz.	218 / 248
Water	KMD-860MWJ	940 862	20.5	139	3.90	20A	8.5A	208-230V/60/1	3	11,000	1 lb. 12.2 oz.	228 / 258
Remote	KMD-860MRJZ	967 850	18.2	N/A	5.05	20A	12.5A	208-230V/60/1	3	13,000	5 lbs. 15.9 oz. 9 lbs. 14.7 oz.*	226 / 256

*(with condenser)

KMEdge™ Cube Dimensions*



* approximate size in inches, image not to scale

Operating Limits

- Ambient Temp Range 45 - 100°F
- Water Temp Range 45 - 90°F
- Water Pressure 10 - 113 PSIG
- Voltage Range 187 - 253V
- If GFCI is required, a GFCI breaker MUST be used in lieu of GFCI receptacle

Service

- Panels easily removed and all components accessible for service.
- Allow 6" (15cm) clearance at rear, sides, and top for proper air circulation and ease of maintenance/service.

Plumbing

- Icemaker Water Supply Line: Min. 1/4" Nominal ID Copper Water Tubing or Equivalent
- Icemaker Drain Line: Min. 3/4" Nominal ID Hard Pipe or Equivalent
- Water-Cooled Model (Lines Must Be Independent of Icemaker)
- Condenser Water Supply Line: Minimum 1/4" Nominal ID Copper Water Tubing or Equivalent
- Condenser Drain/Return Line: Minimum 1/4" Nominal ID Hard Pipe (open drain system) or Copper Water Tubing (closed loop system) or Equivalent

Water Filter

Please refer to water filter specification sheet for recommendations.

Hoshizaki reserves the right to change specifications without notice.



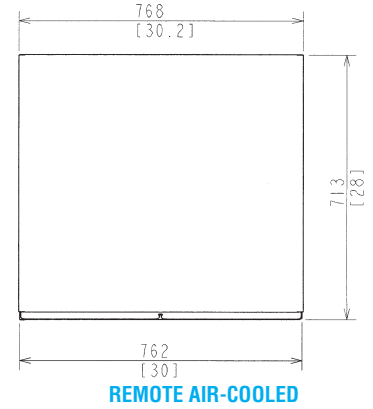
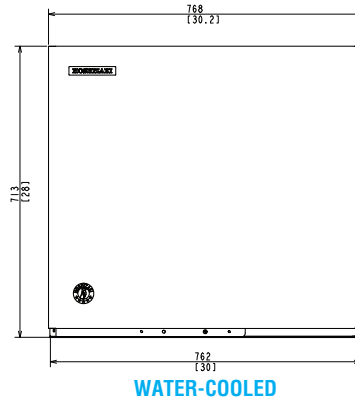
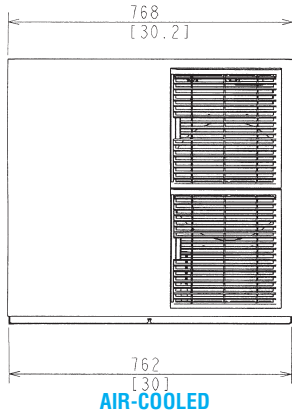
KMD-860M_J(Z)

MODULAR CRESCENT CUBER

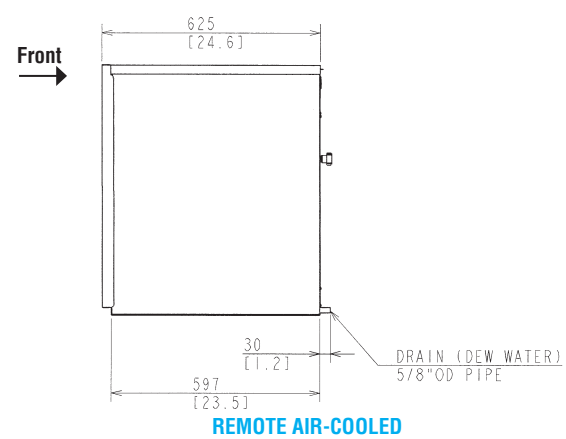
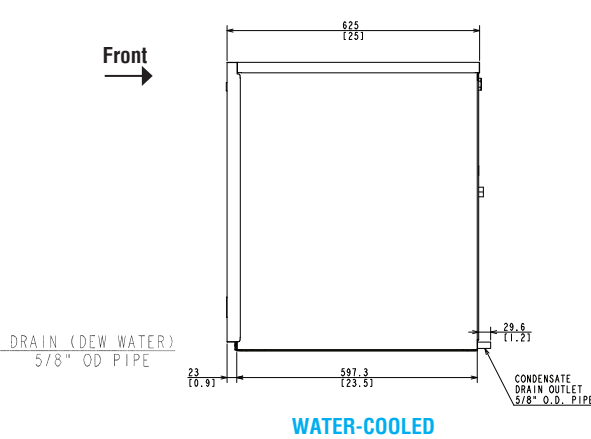
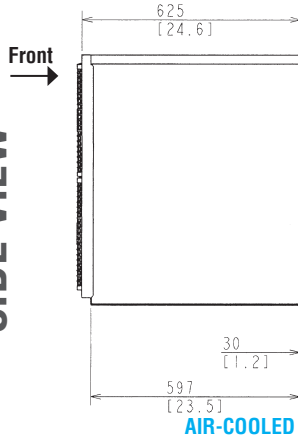


KMD-860M_J(Z)
08/03/23
Item # 13232

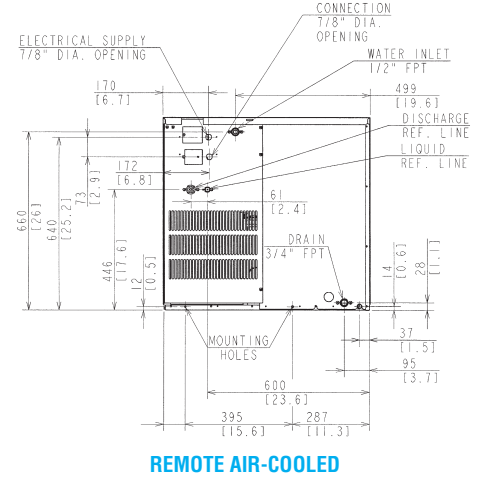
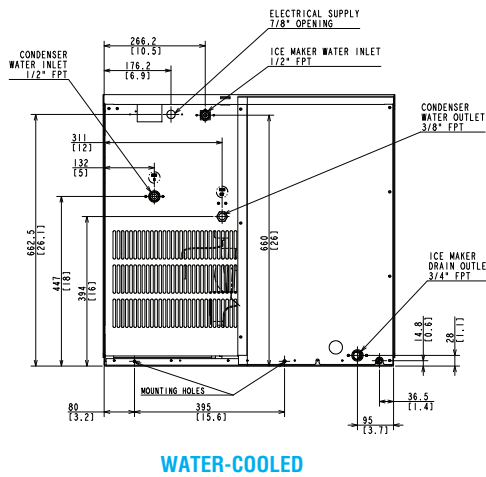
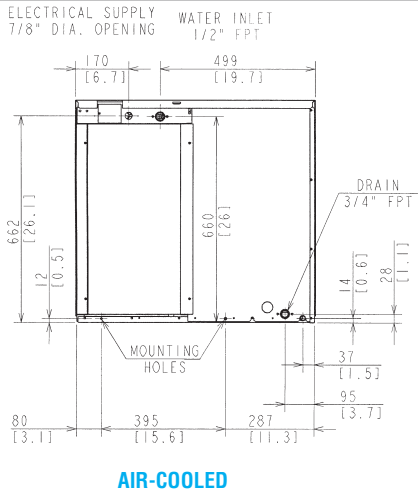
FRONT VIEW



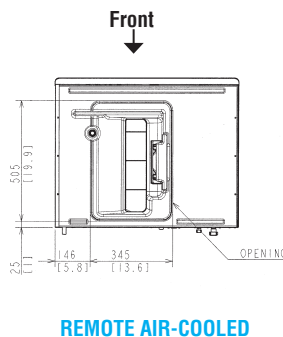
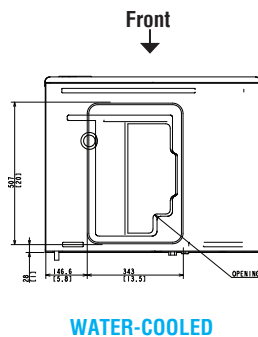
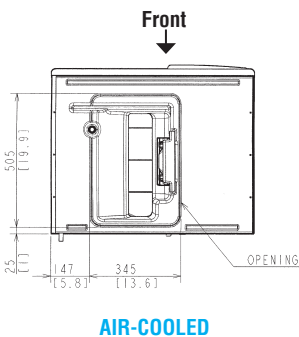
SIDE VIEW



REAR VIEW



BOTTOM VIEW



URC-9FZ Remote Condenser (Sold Separately)
(W x D x H) 35 11/16 x 14 1/16 x 36 1/2
For Use with KMD-860MRJZ

Brazed Line Sets (Sold Separately)
25' HS-5604
35' HS-5605
55' HS-5606
Voltage supply for the URC Remote Condenser is supplied from the Ice Maker. No additional circuit is required.

