



KML-700M_J(Z)

LOW-PROFILE MODULAR CRESCENT CUBER



KML-700M_J
08/03/23
Item # 13400

Item #: _____
 Project: _____
 Qty: _____
 AIA#: _____

W x D x H
30" x 27^{3/8}" x 26"

KM|EDGE™

KML-700MAJ ★
Air-Cooled

Shown on optional bin B-500

KML-700MWJ
Water-Cooled

KML-700MRJZ ★
Remote Air-Cooled



Features

- ▶ Individual crescent cube
- ▶ Stainless steel evaporator
- ▶ CycleSaver™ design

- Up to 665 lbs. of ice production per 24 hours
- Durable stainless steel exterior
- Protected by H-GUARD Plus Antimicrobial Agent
- EverCheck™ alert system
- Removable air filters (Air-cooled model only)
- R-404A Refrigerant

Available on Bins:

B-250SF **B-800SF** **B-1150SS** **B-1650SS***
B-500SF **B-900SF** **B-1300SS** **DB-200H**
B-700SF **B-1150SS** **B-1500SS*** **DM-200B**

*Top kit may be required. See Bin Spec Sheets. *Two unit application only.*

Warranty:

3 Year Parts & Labor on entire machine. 5 Year Parts & Labor on Evaporator. 5 Year Parts on Compressor; air-cooled condenser coil. Valid in United States, Canada, Puerto Rico and U.S. Territories. Contact factory for warranty in other countries.

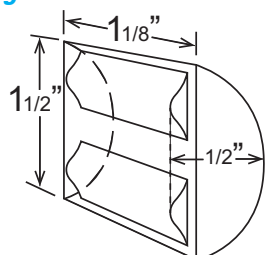
Shipping: (LxWxH) 33.25" x 33.5" X 32" Volume: 20.6ft³



Condenser	Model	ICE PRODUCTION		WATER USAGE		ELECTRICAL							
		Air / Water Temp Lbs. per 24 hours 70°/ 50°F 90°/ 70°F	Potable Gal. per 100 lbs. 90°/ 70°F	Condenser Gal. per 100 lbs. 90°/ 70°F	kWh Used per 100 lbs. 90°/ 70°F	Min. Circuit/ Max. Fuse Size	Amperage	Voltage	Circuit Wires (including ground)	Heat Rejection BTU/hr.	Refrigerant Charge Amount	Net / Ship Weight (lbs.)	
Air	KML-700MAJ	662	610	16.0	N/A	4.90	20A	14.9A	115V/60/1	3	8,700	2 lb. 10.3 oz.	184 / 204
Water	KML-700MWJ	665	660	19.5	110	3.79	20A	11.9A	115V/60/1	3	12,400	1 lb. 6 oz.	182 / 202
Remote	KML-700MRJZ	657	614	16.4	N/A	4.90	20A	13.7A	115V/60/1	3	9,400	7 lb. 8.6 oz. 11 lb. 7.4 oz. [†]	180 / 200

[†] (with condenser)

KMEdge™ Cube Dimensions*



* approximate size in inches, image not to scale

Operating Limits

- Ambient Temp Range 45 - 100°F
- Water Temp Range 45 - 90°F
- Water Pressure 10 - 113 PSIG
- Voltage Range 104 - 127V
- If GFCI is required, a GFCI breaker MUST be used in lieu of GFCI receptacle

Service

- Allow 6" (15 cm) clearance at rear, sides, and top for proper air circulation and ease of maintenance/service.
- Removable air filters (air-cooled model only).

Plumbing

- Icemaker Water Supply Line: Min. 1/4" Nominal ID Copper Water Tubing or Equivalent
- Icemaker Drain Line: Min. 3/4" Nominal ID Hard Pipe or Equivalent
- Water-Cooled Model (Lines Must Be Independent of Icemaker)
- Condenser Water Supply Line: Min. 1/4" Nominal ID Copper Water Tubing or Equivalent
- Condenser Drain/Return Line: Min. 1/4" Nominal ID Hard Pipe (open drain system) or Copper Water Tubing (closed loop system) or Equivalent

Water Filter

Please refer to water filter spec sheet for recommended configurations.

Hoshizaki reserves the right to change specifications without notice.

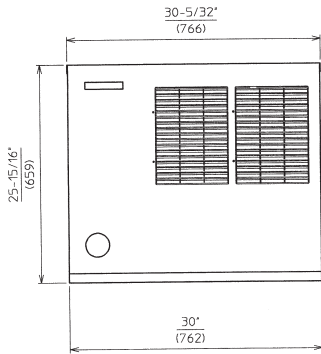


KML-700M_J(Z)

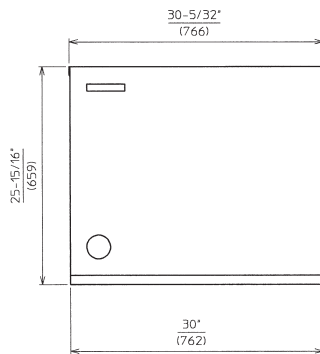
LOW-PROFILE MODULAR CRESCENT CUBER

KML-700M_J
08/03/23
Item # 13400

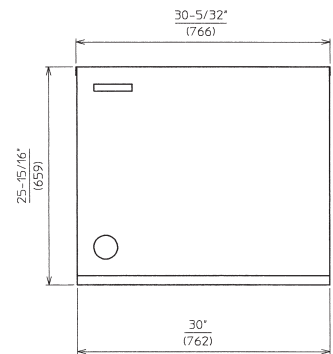
FRONT VIEW



AIR-COOLED

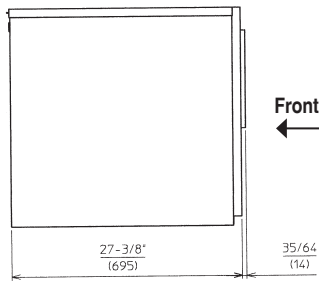


WATER-COOLED

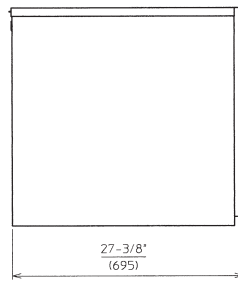


REMOTE AIR-COOLED

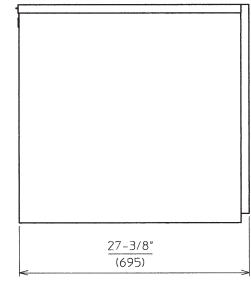
SIDE VIEW



AIR-COOLED

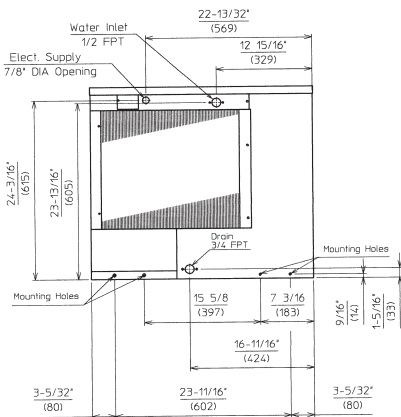


WATER-COOLED

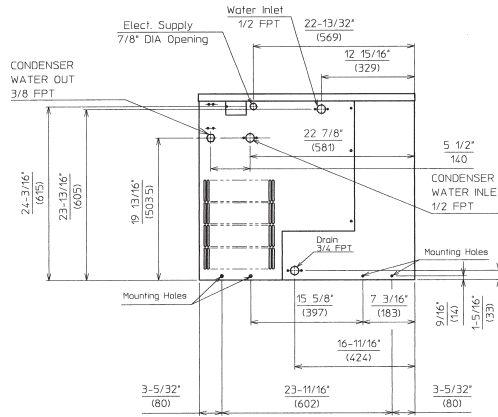


REMOTE AIR-COOLED

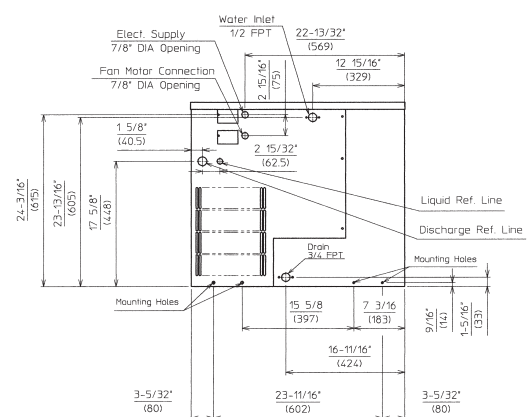
REAR VIEW



AIR-COOLED



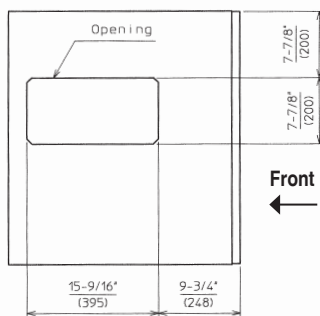
WATER-COOLED



REMOTE AIR-COOLED

URC-9FZ Remote Condenser (Sold Separately)
(W x D x H) 35^{11/16} x 14^{1/16} x 36^{1/2}
For Use with KML-700MRJZ

BOTTOM VIEW



AIR-COOLED
WATER-COOLED
REMOTE AIR-COOLED

Braze Line Sets
(Sold Separately)
25' HS-5604
35' HS-5605
55' HS-5606

Voltage supply for the URC
Remote Condenser is supplied
from the Ice Maker. No additional
circuit is required.

